

SLIM SLIDES - PNEUMATIC VERSION

ROTOLIN
everything under control...



• SLIM SLIDES - PNEUMATIC VERSION •

INTRODUCTION

Used when isolating the flow of dry free flowing powders, granules and dust.

For use on various types of gravity feed applications, e.g. silos, hoppers, screw conveyors etc., where automatic operation is required.

WHY SLIM SLIDE

Rotolok's Slim-Slide has all the features of the Manual version, but can be operated remotely as required in process control.

IMPORTANT FEATURES

- Compact Design
- No Lodgement Points
- Dust Tight to Atmosphere on in-line applications
- Stainless Steel Slide Plate
- Aluminum Body
- Nylon Support Studs
- Stainless Steel Slide Plate
- Dust Seals
- Round and Square Inlets
- Complete with Solenoid Valve and Limit Switches

DESCRIPTION

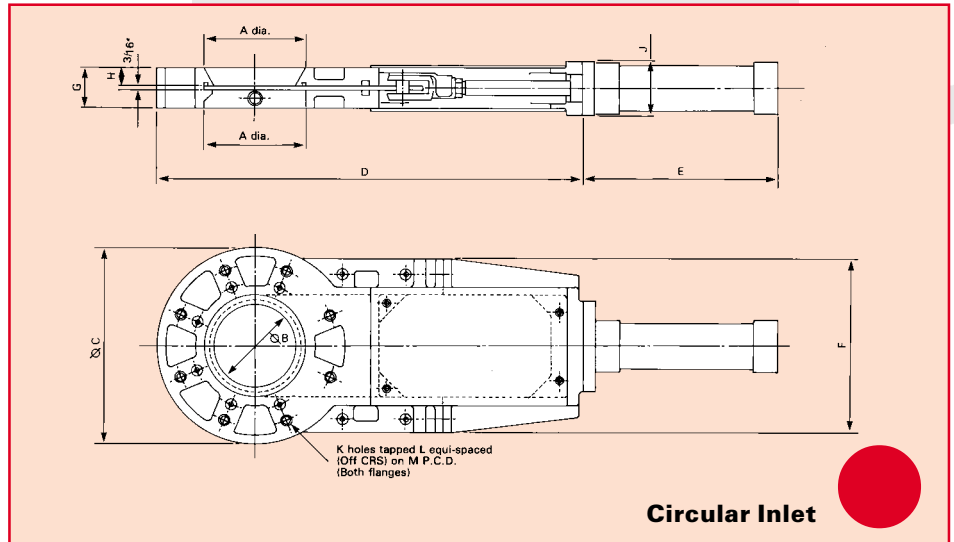
Valve is supplied complete with single solenoid spring return valve and limit switches to indicate open/closed positions.

Cylinder and solenoid is pre-piped ready for installation.

Its compact design is incorporated on applications where minimum space is available.

Manufactured on CNC machines ensuring:

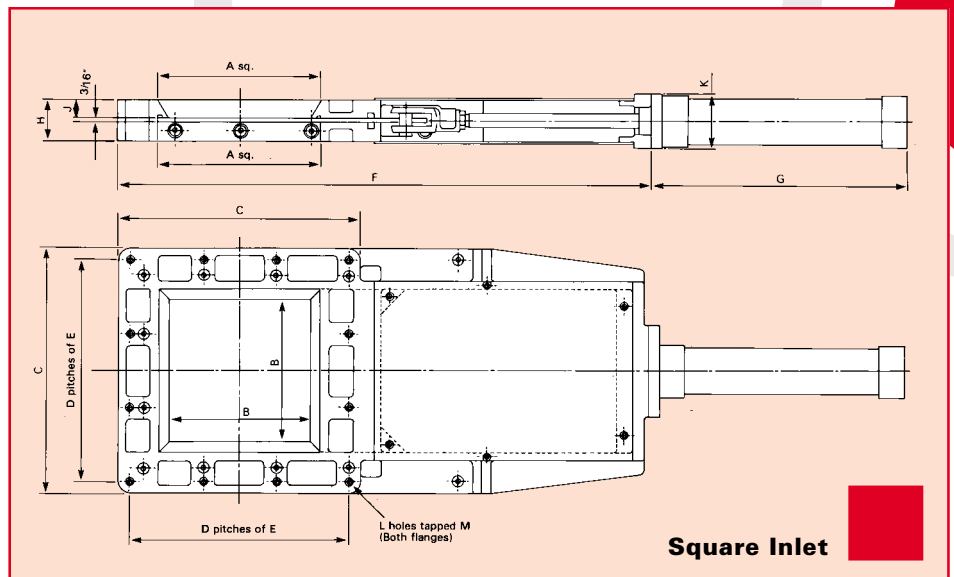
- Quick Deliveries
- Interchangeability
- Accurate Components
- Cost Effectiveness
- Quality Control



	A	B	C	D	E	F	G	H	J	K	L	M	
VALVE SIZE	14"	14	13	21	44 ¹ / ₄	19 ¹ / ₈	18	2	1	3	12	M20	17 ¹ / ₂
	12"	12	11	17 ³ / ₈	38 ¹ / ₂	17 ¹ / ₈	15 ³ / ₄	2	1	3	12	M20	15 ¹ / ₂
	10"	10	9	14 ¹ / ₂	33 ¹ / ₈	15 ¹ / ₈	13 ¹ / ₄	2	1	3	8	M16	12 ⁵ / ₈
	8"	8	7	12 ¹ / ₂	27 ⁵ / ₈	12 ¹ / ₂	11 ⁷ / ₈	2	1	2 ⁵ / ₈	8	M16	11
	6"	6	5	11 ¹ / ₄	23 ⁵ / ₈	10 ¹ / ₂	9 ⁷ / ₈	2	1	2 ⁵ / ₈	8	M16	9 ¹ / ₂
5"	5	4	9 ¹ / ₂	20 ³ / ₄	9 ¹ / ₂	8 ¹ / ₂	2	1	2 ⁵ / ₈	8	M16	7 ⁷ / ₈	

Dimensions in inches unless stated

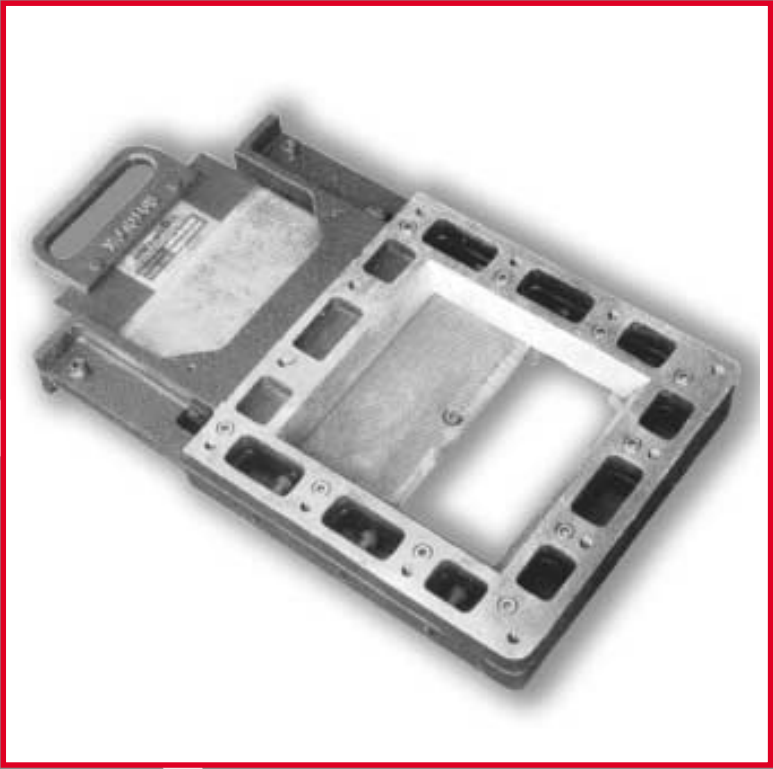
Dimensions subject to change without notice



	A	B	C	D	E	F	G	H	J	K	L	M	
VALVE SIZE	14"	14	13	18	3	5 ¹ / ₂	38	19 ¹ / ₈	2	1	3	12	M12
	12"	12	11	15 ³ / ₄	3	4 ¹¹ / ₁₆	33 ³ / ₄	17 ¹ / ₈	2	1	3	12	M10
	10"	10	9	13 ¹ / ₄	3	4	29 ¹ / ₂	15 ¹ / ₈	2	1	3	12	M12
	8"	8	7	12	3	3 ⁹ / ₁₆	25 ³ / ₄	12 ¹ / ₂	2	1	2 ⁵ / ₈	12	M10
	6"	6	5	10	3	2 ³ / ₄	22	10 ¹ / ₂	2	1	2 ⁵ / ₈	12	M10

Dimensions in inches unless stated

Dimensions subject to change without notice



SLIM SLIDES - MANUAL VERSION

ROTOLUX

everything under control...

• SLIM SLIDES - MANUAL VERSION •

INTRODUCTION

Quick trouble free compact emergency slide valve for the isolation and flow control of free flowing powders, granules and dust.

Ideal for various types of gravity feed applications e.g. silos, hoppers, screw conveyors etc., where easy access or infrequent use lends itself to manual operations.

WHY SLIM SLIDE

Meeting the needs of an Emergency Slide Valve.

IMPORTANT FEATURES

- Compact Design
- No Lodgement Points
- Minimum Dust Escapement
- Precision Machined
- Stainless Steel Slide Plate
- Aluminum Body
- Nylon Support Studs
- Stainless Steel Slide Plate
- Dust Seals
- Round and Square Inlets

SLIM SLIDE

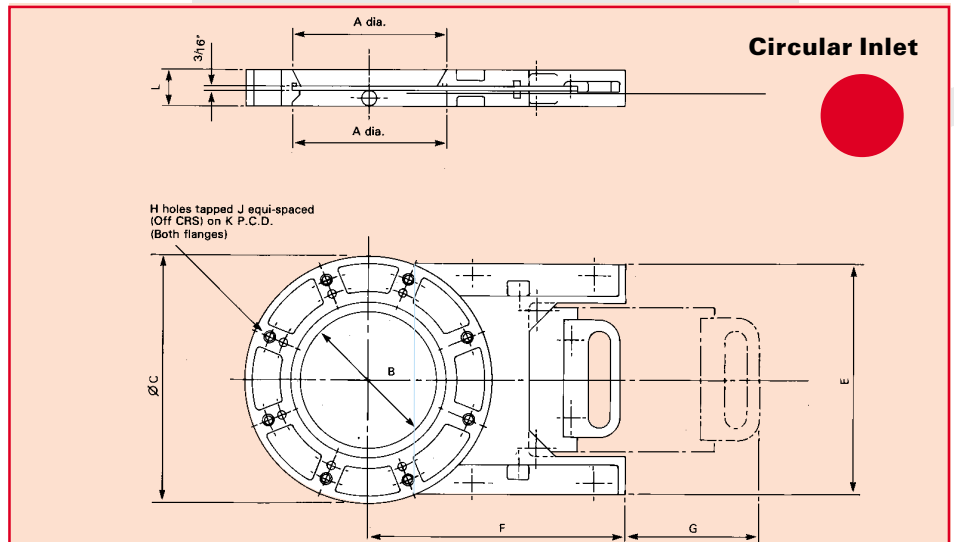
The Slim Slide by careful design has a build up facility and by adding further components it can easily be converted from the manual version to:

- Single Pneumatic Operation
- Screw Type
- Motorized

That is Slim Slide, a cost effective valve for trouble free operation.

Manufactured on CNC machines ensuring:

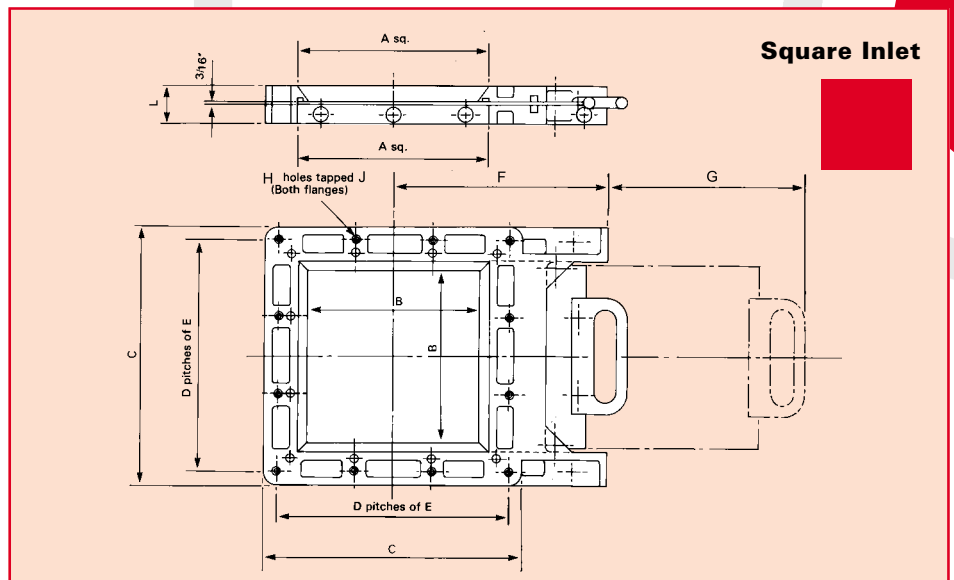
- Quick Deliveries
- Accurate Components
- Interchangeability
- Cost Effectiveness
- Quality Control



	A	B	C	E	F	G	H	J	K	L	
VALVE SIZE	14"	14	13	21	18	18	14	12	M20	17½	2
	12"	12	11	17¾	15¾	16⅛	12	12	M20	15½	2
	10"	10	9	14⅝	13¼	14⅛	10	8	M16	12⅝	2
	8"	8	7	12⅝	11¾	13¼	6¾	8	M16	11	2
	6"	6	5	11¼	9⅞	10⅛	6	8	M16	9½	2
	5"	5	4	9½	8½	9⅛	5	8	M16	7⅛	2

Dimensions in inches unless stated

Dimensions subject to change without notice



	A	B	C	D	E	F	G	H	J	L	
VALVE SIZE	14"	14	13	18	3	5½	13¾	13⅞	12	M12	2
	12"	12	11	15¾	3	4⅛	12¼	12	12	M10	2
	10"	10	9	13¼	3	4	11	10	12	M12	2
	8"	8	7	12	3	3⅞	11¾	7	12	M10	2
	6"	6	5	10	3	2¾	9¼	6⅛	12	M10	2

Dimensions in inches unless stated

Dimensions subject to change without notice