

# ODDBALL ROTARY VALVES

**ROTOLIN**

*everything under control...*

# • ODDBALL ROTARY VALVES •

## INTRODUCTION

This brochure simply outlines Rotolok's range of special sized Rotary Airlocks. However, Rotolok manufactures even more than are listed here, including some round inlets to square outlets and the range is continuously being extended.

For full specification, rotor selection and other options please refer to our Rotary Valve & Airlocks brochure.

If you require a special valve that does not appear here please contact our sales office as we may design and manufacture to your requirements.

## STANDARD FEATURES

- Maximum number of blades in contact with body at one time without affecting throughput.
- Good throat opening at valve entry allowing high pocket filling efficiency.
- Minimum clearance at rotor tips and sides with body.
- Robust body adequately stiffened to prevent distortion.
- Heavy shaft diameters minimising deflection.
- Outboard bearings for non-contamination.
- Packing gland type seals.
- Maximising valve speed to 25 rpm - prolonging life, ensuring good throughput.
- Precision machining of components.



*All add up to Rotolok standards.*

## SPECIFICATION

**Bodies** - Cast Iron, Stainless Steel or Aluminum precision bored.

**End Covers** - Cast Iron, Stainless Steel or Aluminum spigot located in body for concentricity.

**Rotor** - Fabricated Mild or Stainless Steel.

**Bearings** - Generally sealed-for-life-ball type rigged outboard or high temperature type above 475° F.

**Shaft Seal** - Gland type with PTFE packing.

**Drive** - TEFC geared motor unit side wall mounted to valve body and complete with taper lock sprockets chain drive all in an enclosed guard.

## OPTIONS

- Quick Release Rotors
- Direct Coupled Drives
- Air Purge Glands
- Body Vents
- Vent Boxes
- Dropout Boxes
- V.S. Drives
- Speed Switches
- Flameproof Motors
- Shear Plate Deflectors
- Electroless Nickel Plating
- Hard Chrome Internals etc.

Drillings are Rotolok standards. Variations can be made.

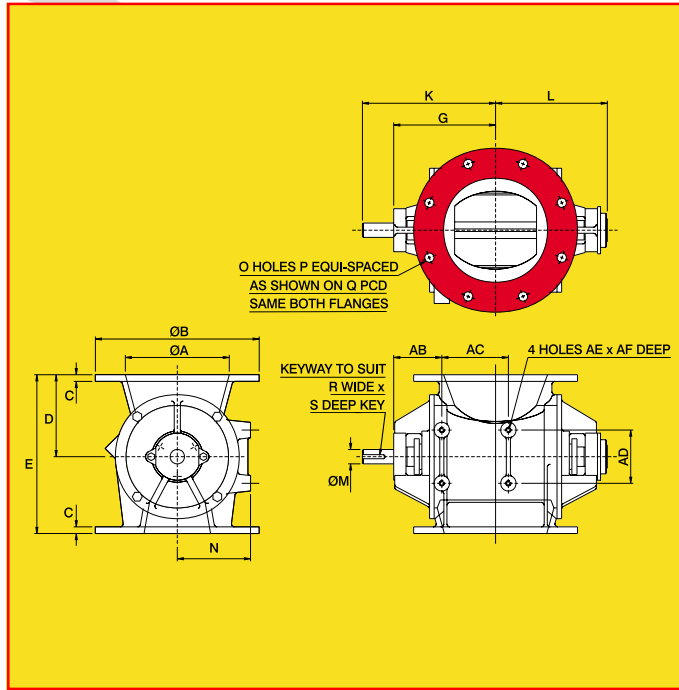
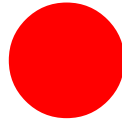
## SPECIAL ROUND INLET BARESHAFT ROTARY VALVES

NOMINAL INLET Ø x BORE	ØA	ØB	C	D	E	G	K	L	ØM	N	O	P	Q	R	S	AB	AC	AD	AE	AF	ft <sup>3</sup> /rev
1/2 x 3/4	1/2	3/2	1/4	2 1/16	4 3/16	1 3/4	2 7/8	2 3/16	3/8	-	4	5/8	2 3/8	3/16	3/16	-	-	-	-	-	8.7x10 <sup>5</sup>
6 x 7	5 7/8	11 1/4	1/2	5 1/8	10 1/4	7 13/16	9 13/16	8 9/16	1 1/8	4 5/16	8	7/8	9 7/16	1/4	1/4	4 15/16	5 3/4	3 15/16	3/8 UNC	11/16	0.11
6 x 8	6	10	5/16	4 7/8	9 3/4	6 7/8	9 1/4	7 5/8	1 1/8	5	6	7/16	8 3/4	1/4	1/4	3 11/16	5 1/8	4 1/8	3/8 UNC	3/4	0.167
7 x 8	6 7/8	12 7/16	1/2	6 5/16	12 5/8	8 11/16	10 5/8	9 7/16	1 1/8	5 1/8	8	7/8	10 5/8	1/4	1/4	4 15/16	7 1/2	3 15/16	3/8 UNC	11/16	0.218
8 x 10	7 7/8	13 3/8	1/2	7 5/16	14 9/16	10	12 3/8	10 13/16	1 1/8	6 5/16	8	7/8	11 5/8	1/4	1/4	5 7/16	9 3/16	4 15/16	1/2 UNC	11/16	0.423
8 x 10	8	12 5/8	1/2	6 1/8	12 1/4	8 5/8	11	9 3/8	1 1/8	6 7/8	8	3/8	11	1/4	1/4	3 11/16	9 13/16	4 1/8	3/8 UNC	3/4	0.394
8 x 12	8 1/16	13 1/2	3/4	8 11/16	18 5/16	10 1/4	12 5/8	11	1 3/8	7 5/16	8	7/8	11 3/4	5/16	5/16	3 15/16	12 5/8	5 1/2	5/8 UNC	1 3/16	0.75
10 x 12	9 13/16	15 9/16	9/16	8 7/16	16 15/16	11	13 3/8	11 3/4	1 3/8	7 1/2	12	7/8	13 3/4	5/16	5/16	5 7/16	11 3/16	4 15/16	1/2 UNC	11/16	0.705
10 x 12	9 13/16	16	9/16	8 7/16	16 15/16	11	13 3/8	11 3/4	1 3/8	7 1/2	12	1	14 1/4	5/16	5/16	5 7/16	11 3/16	4 15/16	1/2 UNC	11/16	0.705
10 x 15	11 13/16	17 1/2	5/8	10 1/4	20 1/2	13	15 3/8	13 3/4	1 3/8	8 7/8	12	7/8	15 3/4	5/16	5/16	5 7/8	14 3/16	4 15/16	1/2 UNC	7/8	1.33
14 x 18	13 3/4	19 7/8	13/16	12	24	14 3/8	16 3/4	15 1/8	2	10 5/8	16	7/8	18 1/8	1/2	1/2	6 1/8	16 9/16	4 15/16	1/2 UNC	7/8	2.216

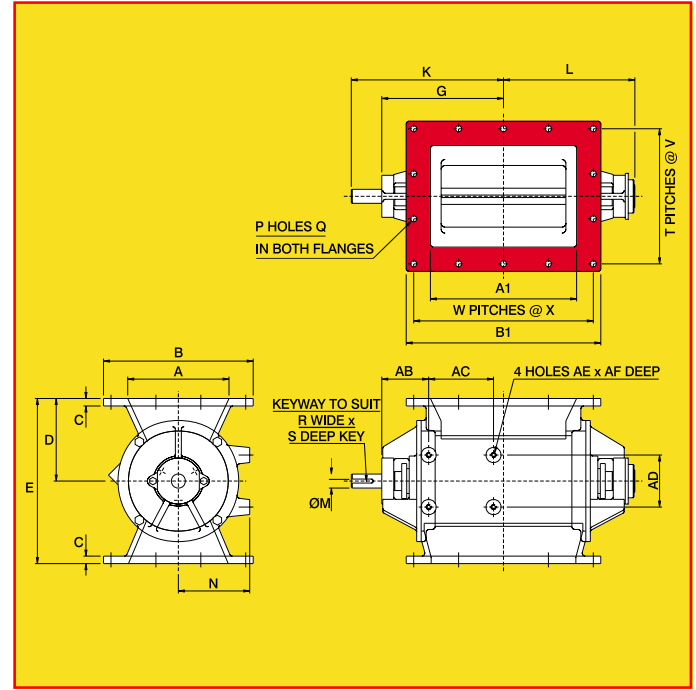
Dimensions in inches unless stated  
DIMENSIONS SUBJECT TO CHANGE WITHOUT NOTICE

# • ODDBALL ROTARY VALVES •

## ROUND SPECIAL ROTARY VALVES



## RECTANGULAR & SQUARE SPECIAL ROTARY VALVES



PLANNING-IN DETAIL FOR GENERAL GUIDANCE ONLY

(TO COVER SAFETY ASPECTS ASK FOR OUR SAFETY LEAFLETS)

Drillings are Rotolok standards. Variations can be made.

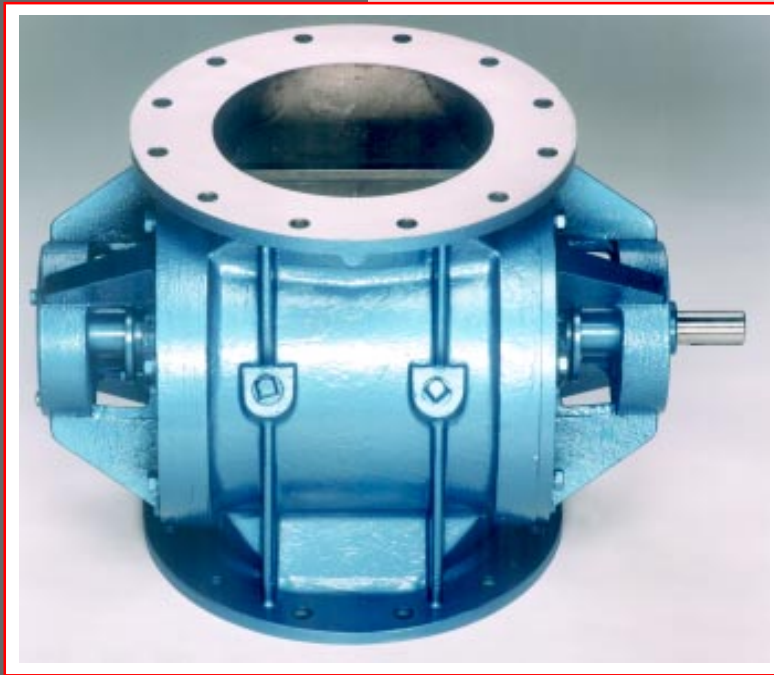
## RECTANGULAR & SQUARE SPECIAL ROTARY VALVES

NOMINAL INLET SIZE	A	A1	B	B1	C	D	E	G	K	L	M	N	P	Q	R	S	T	V	W	X	AB	AC	AD	AE	AF	ft <sup>3</sup> /rev
3 x 12	3/8	11 13/16	5/8	13	3/8	33/8	6 11/16	9 13/16	12 3/16	10 9/16	11/8	-	6	7/16	1/4	1/4	1	4 1/2	2	5	-	-	-	-	-	0.109
4 x 4	4	4	6 3/4	6 3/4	3/8	33/4	7 1/2	5 3/4	7 3/4	6 1/2	1	37/16	4	1/2	1/4	1/4	1	5 3/4	1	5 3/4	4	39/16	6	3 8/16	3/4	0.066
4 x 6	4	6	6 1/2	8 3/8	3/8	4 3/4	9 1/2	7 5/16	9 11/16	8	1 1/8	5	8	3/8	1/4	1/4	0A	0A	0A	0A	4	5	4	3 8/16	3/4	0.189
9 x 9	9	9	12	12	3/8	5 3/16	10 3/8	8 5/8	11	9 3/8	1 1/8	5 1/4	12	1/2	1/4	1/4	0A	0A	0A	0A	3 7/8	5	4	3 8/16	3/4	0.223
5 x 10	5	10	8	12 1/4	1/2	5 1/4	10 1/2	8 15/16	11 3/8	9 11/16	1 1/8	5	12	3/8	1/4	1/4	0A	0A	0A	0A	3 11/16	4 5/16	4 1/16	3 8/16	3/4	0.265
5 x 12	5	12	8	14 1/4	1/2	5 1/4	10 1/2	10	12 3/8	10 11/16	1 1/8	5	12	3/8	1/4	1/4	0A	0A	0A	0A	3 11/16	4 5/16	4 1/16	3 8/16	3/4	0.316
8 x 18	7 7/8	18 1/8	11 13/16	22 1/16	9/16	6 1/2	13	13	16 13/16	13 11/16	1 3/8	5 1/4	16	9/16	5/16	5/16	0A	0A	4	5 1/8	4 7/8	6	7	3 8/16	3/4	0.411
8 x 24	7 7/8	23 5/8	11 13/16	27 9/16	9/16	6 1/2	13	15 11/16	18 1/8	16 1/2	1 1/8	5 7/8	16	9/16	1/4	1/4	0A	0A	4	6 1/2	3 11/16	5 1/8	4 1/8	3 8/16	3/4	0.554
9 x 11	9 3/16	10 5/8	13	14 9/16	5/8	8 1/16	16 1/8	9 3/4	12 5/8	10 1/2	1 1/2	7 1/4	12	1/2	3/8	3/8	3	3 5/8	3	4 3/16	4 13/16	9 13/16	11 13/16	1 1/2	3/4	0.534
14 x 15	14	15 1/4	18 1/2	19 3/4	5/8	8 7/8	17 3/4	12	14 3/8	12 3/4	1 3/8	7 5/8	12	9/16	5/16	5/16	0A	0A	0A	0A	4 5/16	6	7	3 8/16	3/4	0.966
12 x 48	12	48	16 1/2	54	9/16	9	18	28 5/16	30 11/16	29 1/16	1 3/8	7 1/4	28	7/16	5/16	5/16	3	5	0A	0A	3 15/16	6	7	3 8/16	3/4	2.198
10 x 10	9 7/8	9 7/8	14 3/8	14 3/8	9/16	9 7/8	19 11/16	10 3/8	12 13/16	11 1/8	1 1/2	8 1/8	12	9/16	3/8	3/8	3	4 5/16	3	4 5/16	5 5/8	9 7/16	11 7/16	5 8/16	13/16	0.731
10 x 10	10	10	13	13	1/2	8	16	10 1/2	13 5/16	11 5/16	2	8 1/8	8	7/16	1/2	1/2	2	6	2	6	5 5/8	9 3/4	8	3 8/16	1	0.959
10 x 14	9 7/8	13 3/4	13 3/4	17 3/4	1/2	9 7/16	18 7/8	10 5/8	12 15/16	11 3/8	1 3/8	8 5/8	12	1/2	5/16	5/16	3	4 1/16	3	5 1/2	3 13/16	13 9/16	5 11/16	1 1/2	3/4	1.089
12 x 23	12	22 3/4	18 1/4	30 5/8	1	12	24	16 7/8	19 1/4	17 11/16	2	11 1/4	18	11/16	1/2	1/2	3	5 1/4	5	5 5/8	6 1/8	21 1/2	13	5 8/16	19/16	3.189
18 x 32	18 1/8	32 1/16	24	38	11/16	12	24	20 11/16	23 7/8	21 7/16	2	11 3/8	18	11/16	1/2	1/2	3	7	6	6	4 15/16	16 5/16	5 1/2	5 8/16	13/16	5.469

Dimensions in inches unless stated  
DIMENSIONS SUBJECT TO CHANGE WITHOUT NOTICE

# • ODDBALL ROTARY VALVES •

- Rotary Airlocks
- Conveying Diverters
- Double Dumps
- Blowing Seals
- Fabricated Slides
- Slim Slides
- Rotoslides
- Rotoflex Valves
- Slimflex Valves
- Butterfly Dampers
- Weigh Valves
- Plug Diverters
- Screw Conveyors
- Gravity Diverters
- Rotospeed Switch
- Level Lok
- Pipe Couplings
- Ni Hard Bends
- Special Designs



SPECIAL ROTARY VALVE



Rotolok Valves Inc  
Industrial Ventures II, 2711 Gray Fox Road  
Monroe, North Carolina, 28110  
Tel: (704) 282-4444 Fax: (704) 282-4242  
e-mail: [sales@rotolok.com](mailto:sales@rotolok.com)  
website: [www.rotolok.com](http://www.rotolok.com)