



KLEAN LOK

ROTOLOK
everything under control...



• HYGIENIC ROTARY VALVE - KLEAN LOK •

INTRODUCTION

The prime function of Rotary Valves is to regulate the flow of dust, powder and granular products from one chamber to another whilst maintaining a good airlock.

It is popularly used in pneumatic conveying systems, both vacuum and pressure, together with cyclone and filter applications.

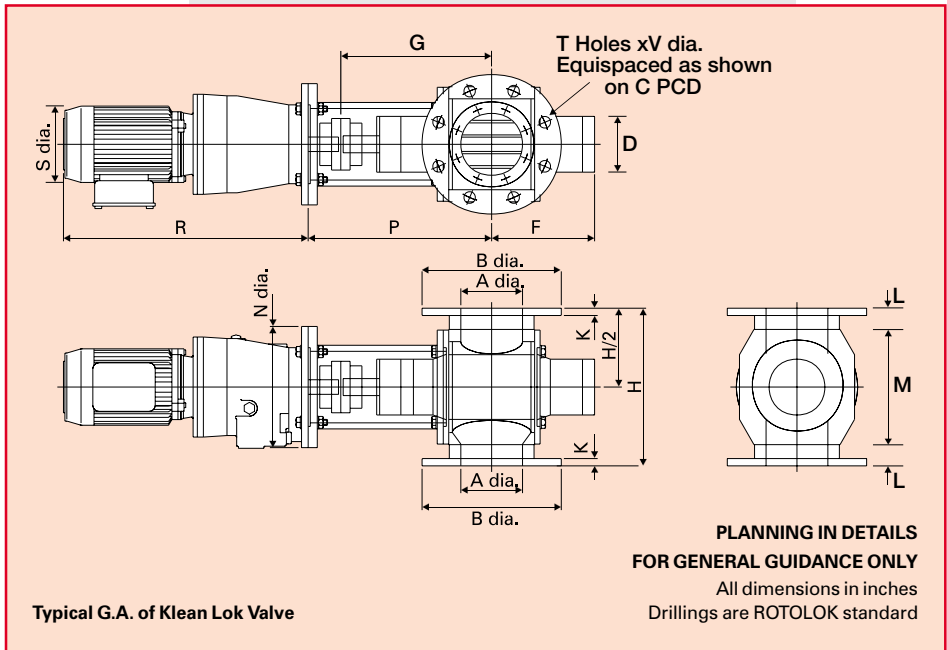
However, the Klean Lok is a more specialist valve. Its modular design makes it an easy-clean valve, aimed specifically at the food, chemical and pharmaceutical industries, where cleanliness, both internally and externally, must be to a high standard.

KLEAN LOK

Rotolok manufactures a complete range of Rotary Valves and in the past, for hygienic applications, the standard range has been used, resulting in large costs being incurred to meet the food standards with regard to polishing etc.

The Klean Lok is, by design, a different concept as it has been styled to ensure that all internal and external surfaces can be fully machined, creating a smooth surface with no lodgement points. This minimises and simplifies polishing and enables the user to clean or wash the valve quickly and easily.

The drive is normally direct coupled, making the complete assembly more compact and eliminating the need for motor mounting plates and bosses, which significantly complicate the external cleaning operation.



To facilitate the internal cleaning of the valve the rotor is available Quick Release.

RANGE

All Klean Loks are constructed from cast stainless steel with stainless steel rotors, to meet hygiene requirements. Standard range sizes, 4" to 10" diameter, but this will be extended to customer needs.

Range is being extended

On Quick Release Models 1 1/2" is to be added to 'G' and 'P' dimensions.

Drive arrangement is for our Standard Helical Gear Flange Mounted Unit. Other Mounting Units e.g. Worm Boxes can be accommodated.

Ask for certified drawing.

IMPORTANT FEATURES

- Machined externals and internals.
- Compact design.
- No lodgement points.
- Quick release.
- Robust body and rotor.
- Outboard bearings for non-contamination.
- Modular design.



	A	B	C	D	F	G	H	K	L	M	N	P	R	S	T	V	CAPACITY CU FT/REV	H.P.	
VALVE SIZE	3	3	7 1/2	6	3 5/8	6	8 1/2	8 1/4	1/2	1 3/8	5 1/2	7 7/8	11 3/4	16 1/2	5	4	3/4	0.02	1/2
	4	4	9	7 1/2	3 5/8	6 3/4	9 5/8	10 1/4	1/2	1 3/8	7 1/2	7 7/8	12	16 1/2	5	8	3/4	0.08	1/2
	6	6	11	9 1/2	3 5/8	7 3/4	10 5/8	12 3/4	1/2	1 3/8	10	7 7/8	13 1/8	16 1/2	5	8	7/8	0.23	1/2
	8	8	13 1/2	11 3/4	3 5/8	8 3/4	11 5/8	15 1/2	1/2	1 3/8	12 3/4	9 7/8	15 3/4	18	6 1/4	8	7/8	0.50	1
	10	10	16	14 1/4	3 5/8	9 3/4	12 3/4	20 1/2	3/4	2	16 1/2	9 7/8	17 3/4	18	6 1/4	12	1	1.00	1

Dimensions in inches unless stated

Dimension subject to change without notice