



# FLEXIBLE SLEEVE VALVES

**ROTOLUX**  
*everything under control...*

# • FLEXIBLE SLEEVE VALVES •

## INTRODUCTION

The flexible sleeve valve has proved itself over a number of years as a simple, reliable isolation or variable feed control valve on applications in the powder or air handling industries - its simplicity being its major advantage.

The basic construction is a rubber sleeve that, with each end being held firmly to a circular shape on rotation through 180°, will completely seal against the very finest of powders and limited air pressure.

Partial rotation leads to partial opening and a multitude of different types of sleeve can be accommodated, the better type of sleeves are food quality nylon, impregnated cloth and wear resistant natural rubber. These types of sleeves are weighty, give the valve good full opening properties and are dust tight.

Rotolok manufacture two types of flexible sleeve valve for different applications.

- Rotoflex
- Slimflex

## INSTALLATION

The Rotoflex and Slimflex valve are immediately ready for installation, however it is essential that the mating flange is flat and true so as not to impart unwanted stresses into the casting causing warp and consequently difficult heavy duty loading on the rotary ring.

The other major consideration is to ensure on the tapped holes in the area of the slot that screws do not protrude into this area, preventing handle operation.

In some cases, if wear becomes a major problem it may be preferable to install a false sleeve, thereby protecting the sleeve and simplifying its replacement.

## ROTOFLEX

Cast in aluminum or stainless steel, it is a high duty, hand operated valve for fine powders on open discharge systems.

The Rotoflex lends itself particularly on filling applications. The sleeve is fixed with clamping rings.

It can also be used on in-line systems but care must be taken to ensure mating gasket or flange does not interfere with rotating clamping ring.

The main advantage of the Rotoflex is that it can be re-tensioned 'insitu'.



## SLIMFLEX

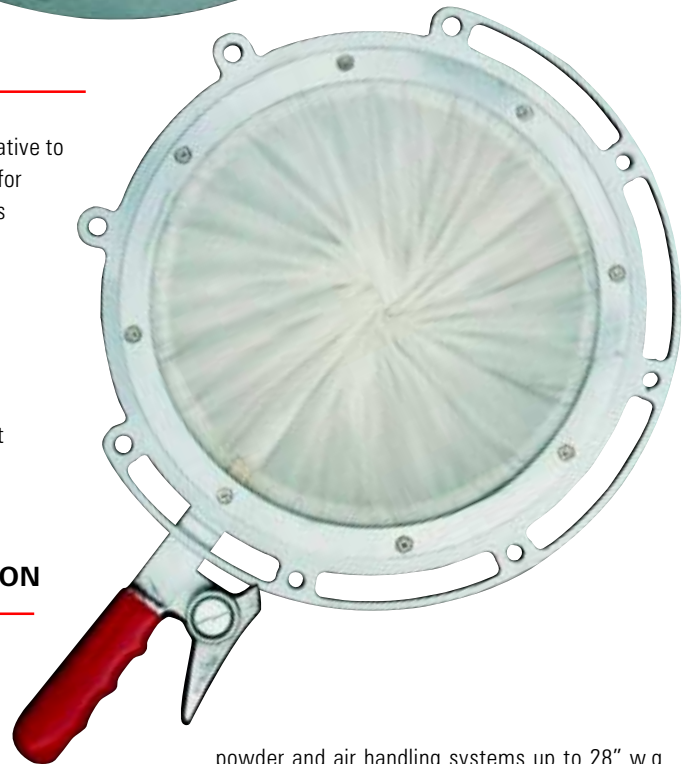
The Slimflex is a low cost alternative to the Rotoflex, designed primarily for the needs of the IBC market. It is manufactured from mild or stainless steel laser cut rings providing a robust, yet lower duty valve. Mild steel parts are zinc coated.

The advantage of Slimflex is that any size can be accommodated.

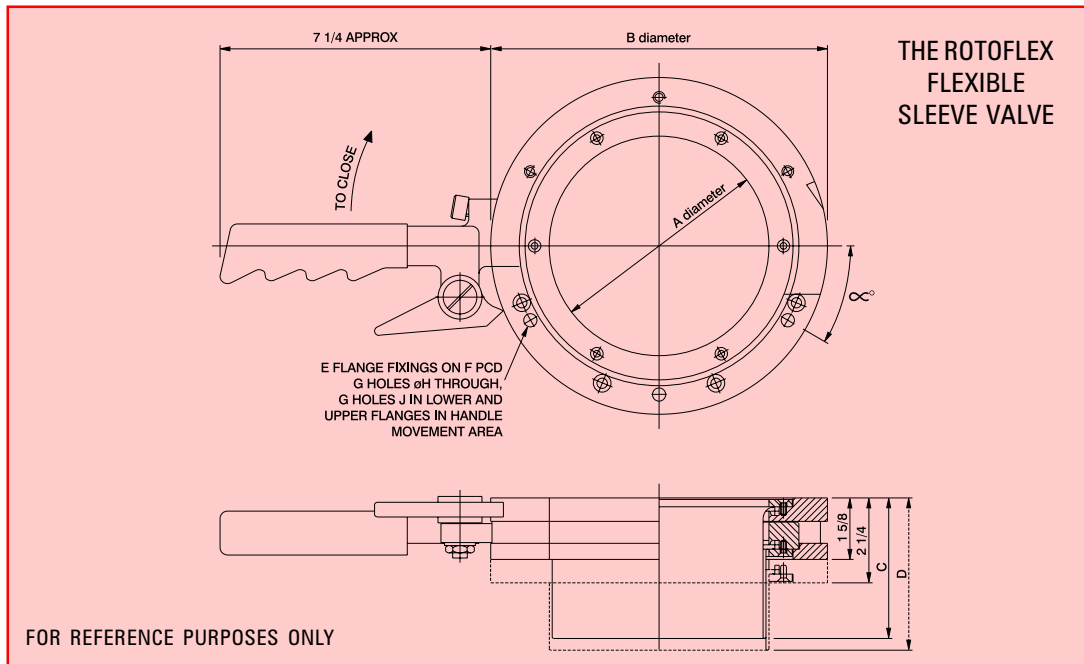
## DOUBLE SLEEVE OPTION

It is available on Rotoflex or Slim Flex. It gives the added advantage of complete sealing to the working components and is therefore in 'in-line' systems, completely dust tight which is a valuable aid with most

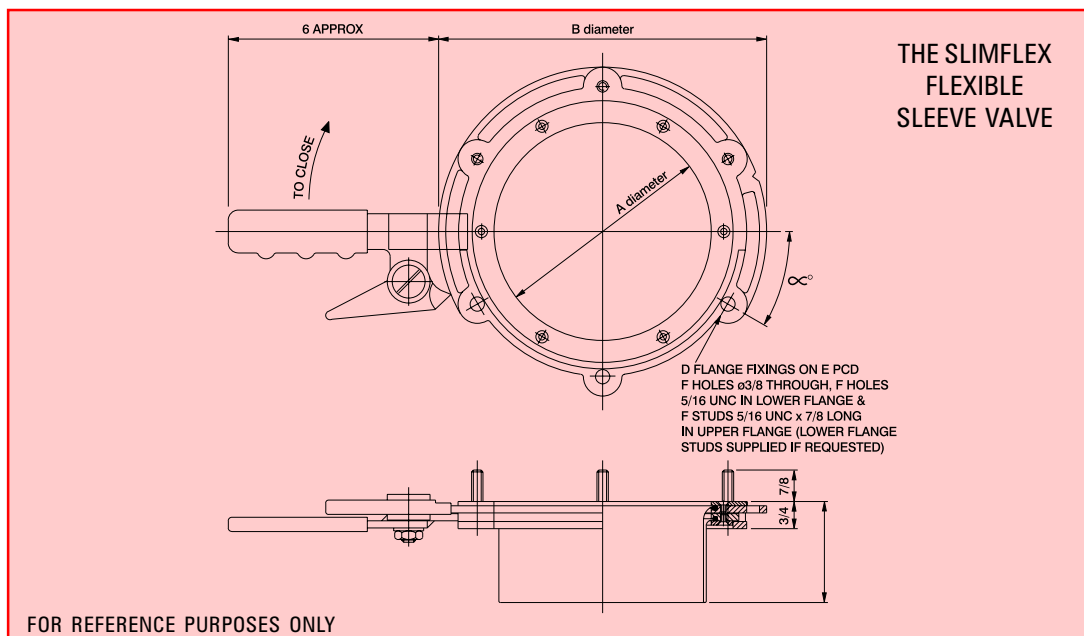
powder and air handling systems up to 28" w.g. The doubling effect of the sleeve gives good sealing properties.



# • FLEXIBLE SLEEVE VALVES •



VALVE SIZE	A	B	C	D	E	F	G	H	J	∞°
150	5 7/8	9	3 3/4	4 1/8	6	8	3	3/8	5/16 UNC	30°
200	7 7/8	11	4 3/4	5 1/8	6	10	3	3/8	5/16 UNC	30°
250	9 7/8	13 3/4	5 3/4	6	8	12 7/8	4	7/16	3/8 UNC	22.5°
300	11 7/8	15 3/4	6 3/4	7	8	14 7/8	4	7/16	3/8 UNC	22.5°



VALVE SIZE	A	B	C	D	E	F	∞°
6	6	9	3 3/8	6	8	3	30°
8	8	11	4 3/8	6	10	3	30°
10	10	13 3/4	5 3/8	8	12 7/8	4	22.5°
12	12	15 3/4	6 3/8	8	14 7/8	4	22.5°

With Slimflex any size can be accommodated

## • OTHER ROTOLOK PRODUCTS •

- Rotary Airlocks
- Conveying Diverters
- Blowing Seals
- Double Dumps
- Fabricated Slides
- Slim Slides
- Rotoslides
- Rotoflex Valves
- Slimflex Valves
- Weigh Valves
- Bin Activators
- Soliflo
- IBC Systems
- Right Rate Feeders
- Rotospeed Switch
- Pipe Couplings



Rotolok Valves Inc  
Industrial Ventures II, 2711 Gray Fox Road  
Monroe, North Carolina, 28110  
Tel: (704) 282-4444 Fax: (704) 282-4242  
e-mail: [sales@rotolok.com](mailto:sales@rotolok.com)  
website: [www.rotolok.com](http://www.rotolok.com)