



# FABRICATED DIVERTER VALVES

**ROTOLIF**

*everything under control...*

# • FABRICATED DIVERTER VALVES •

## INTRODUCTION

Gravity Feed Diverter Valves are used in the bulk handling field to re-route powders, pellets or granular materials from one discharge point to another.

Being of fabricated design Rotolok can accommodate many variations and options relating to divert angles, inlet sizes and form (square, rectangular and round etc).

Generally fabricated from 1/8 inch plate. The internal flap is manufactured with two plates sandwiching a polyurethane wiper seal, to ensure there is adequate sealing to the non-operational leg. The whole assembly is mounted on the main spindle which is supported externally by two sealed for life 2-bolt flanged ball bearings.

The pneumatically operated unit is actuated by an air cylinder complete with solenoid valve and internal piping. Limit switches are also fitted as standard equipment and positioned to indicate open / closed conditions.

The manual version is operated by a smooth action handle.

All pneumatic or electrical switches are fully enclosed for safety reasons.



Fabricated Pneumatic Gravity Diverter Valve



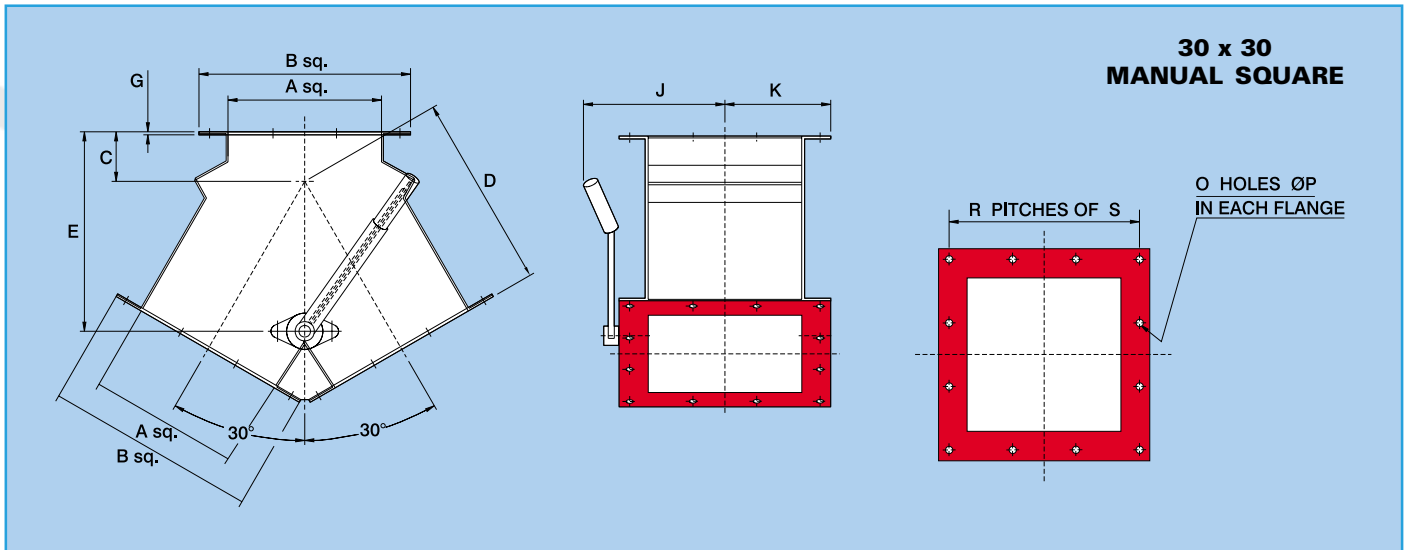
Simple, versatile Diverter Valves for a wide range of applications

## IMPORTANT FEATURES

- Divert angle ensures good flow conditions.
- Compact rugged design.
- Smooth internals with negligible lodgement areas.
- Pneumatic or manual versions.
- Wide selection of materials.
- Good sealing effect.
- Simple access and minimal maintenance.

*All add up to Rotolok standards.*

# FABRICATED DIVERTER VALVES

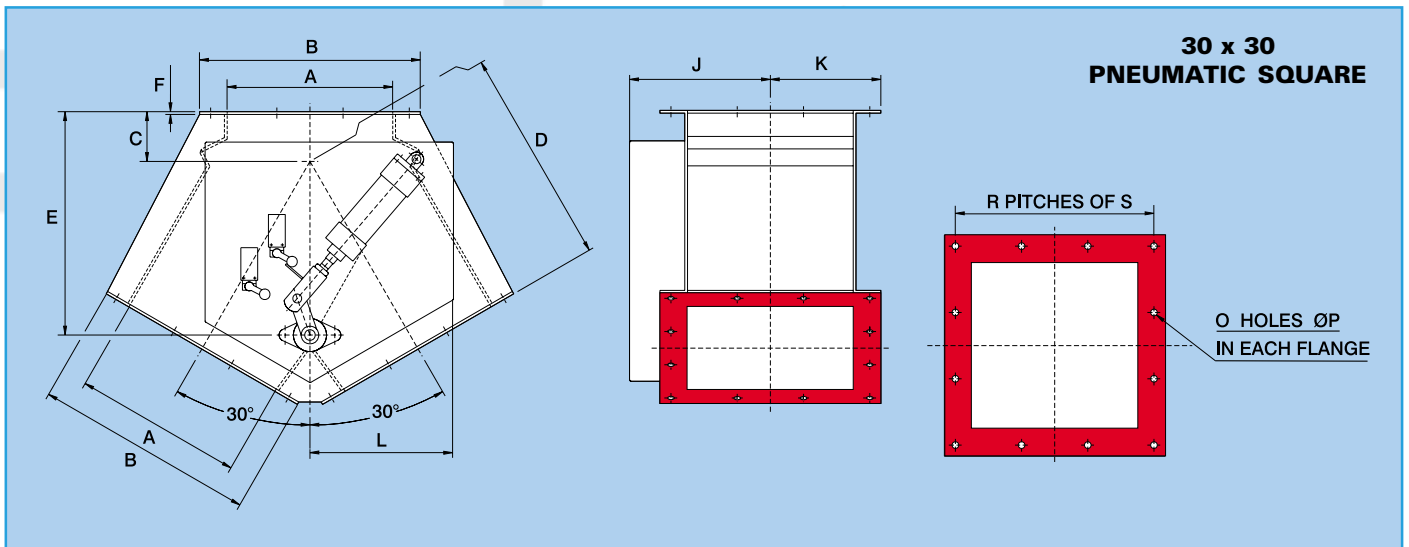


Drillings are Rotolok standards. Variations can be made.

VALVE SIZE	SIZE	A	B	C	D	E	G	J	K	O	P	R	S
6	6	6	9 7/8	2 3/4	10 1/16	9 9/16	1/8	7 1/4	4 15/16	8	1/2	2	4 5/16
	8	8	11 3/4	2 15/16	11 3/8	11 3/16	1/8	8 1/4	5 7/8	12	1/2	3	3 9/16
	10	10	13 3/4	3 1/4	12 5/8	13	3/16	9 1/4	6 7/8	12	1/2	3	4 1/8
	12	12	16	3 9/16	15 7/16	15 7/8	3/16	10 3/8	8	12	1/2	3	4 3/4
	14	14	18	3 1/2	17	17	3/16	12	9	12	1/2	3	5 1/2
18	18	22	7	19 3/4	24	3/16	13 5/8	11	16	1/2	4	5	

Dimensions in inches unless stated

Dimensions subject to change without notice



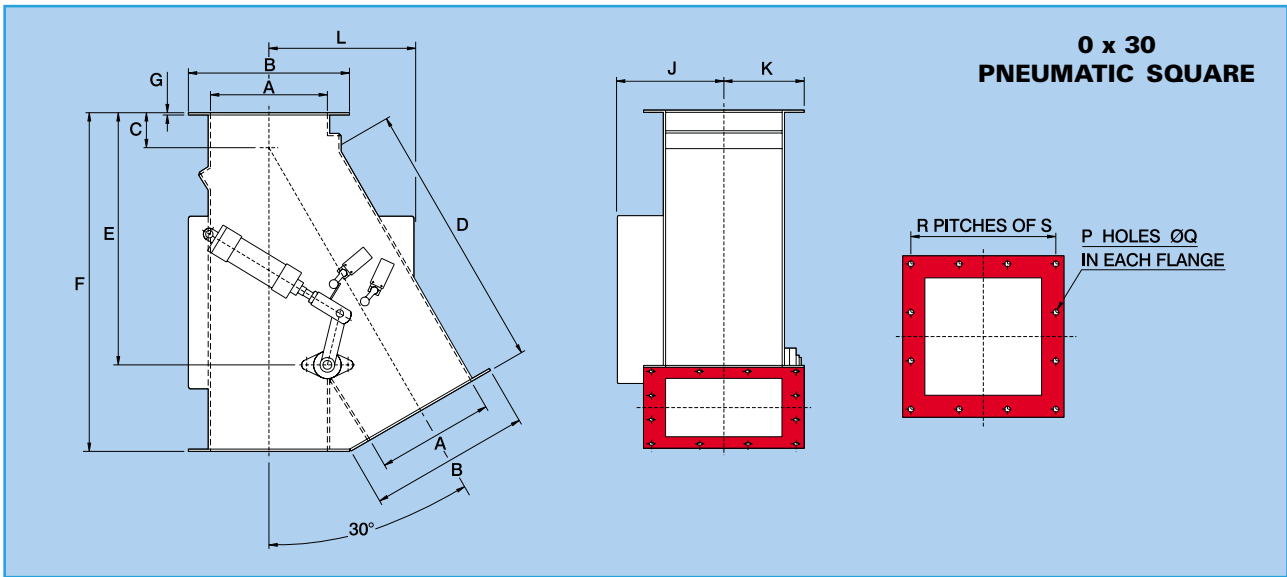
Drillings are Rotolok standards. Variations can be made.

VALVE SIZE	SIZE	A	B	C	D	E	G	J	K	L	O	P	R	S
6	6	6	9 7/8	2 3/4	10 1/16	9 9/16	1/8	7 1/2	4 15/16	14	8	1/2	2	4 5/16
	8	8	11 3/4	2 15/16	11 3/8	11 3/16	1/8	8 1/2	5 7/8	12 3/8	12	1/2	3	3 9/16
	10	10	13 3/4	3 1/4	12 5/8	13	3/16	9 1/2	6 7/8	10 5/8	12	1/2	3	4 1/8
	12	12	16	3 9/16	15 7/16	15 7/8	3/16	10 1/2	8	10 1/4	12	1/2	3	4 3/4
	14	14	18	3 1/2	17	17	3/16	12 3/8	9	11 7/8	12	1/2	3	5 1/2
18	18	22	7	19 3/4	24	3/16	14 3/8	11	15 5/8	16	1/2	4	5	

Dimensions in inches unless stated

Dimensions subject to change without notice

# • FABRICATED DIVERTER VALVES •

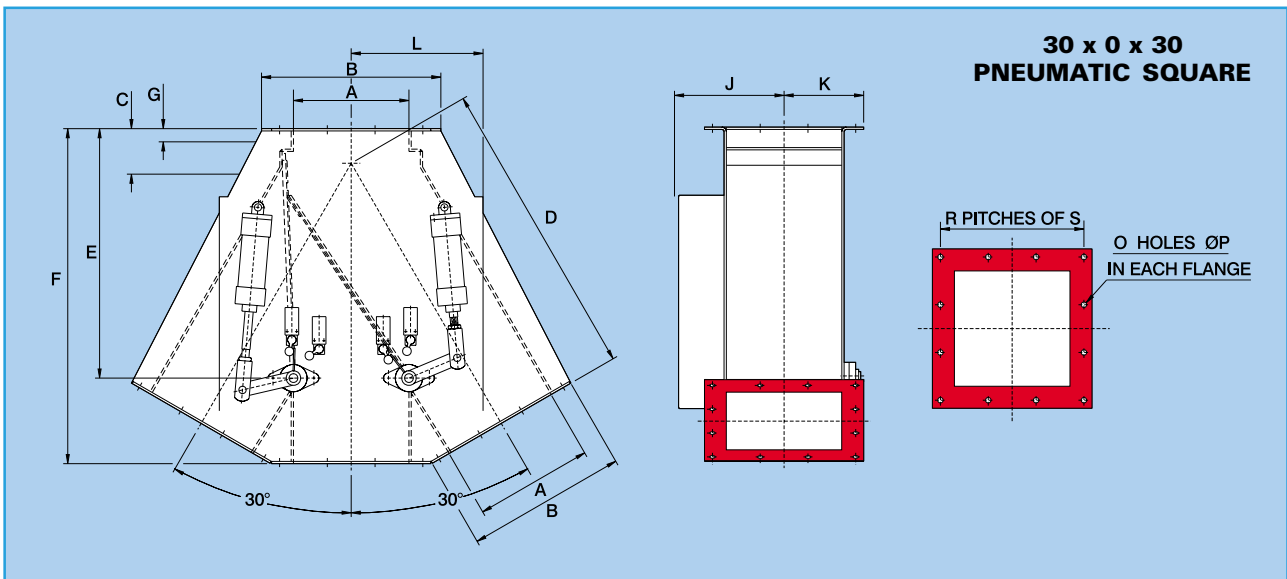


Drillings are Rotolok standards. Variations can be made.

	SIZE	A	B	C	D	E	F	G	J	K	L	O	P	R	S
VALVE SIZE	6	6	9 7/8	2 3/4	18 3/4	13 5/8	21 1/2	1/8	7 3/8	4 15/16	13 3/8	8	1/2	2	4 15/16
	8	8	11 3/4	3	22 1/4	18	25 1/4	3/16	8 1/2	5 7/8	13	12	1/2	3	3 9/16
	10	10	13 3/4	3	26	21 5/8	29	3/16	9 1/2	6 7/8	12 1/4	12	1/2	3	4 1/8
	12	12	16	3	32 1/2	25 13/16	35 1/2	3/16	11 1/8	8	14 1/2	12	1/2	3	4 3/4
	16	16	20	4 1/8	38	34	42 1/8	3/16	15 1/8	10	13 7/8	16	1/2	4	4 1/2

Dimensions in inches unless stated

Dimensions subject to change without notice



Drillings are Rotolok standards. Variations can be made.

	SIZE	A	B	C	D	E	F	G	J	K	L	O	P	R	S
VALVE SIZE	6	6	9 7/8	2 3/4	18 3/4	13 5/8	21 1/2	3/16	8 1/2	5	14	8	1/2	2	4 5/16
	8	8	11 3/4	3	22 1/4	18	25 1/4	3/16	8 1/2	5 7/8	9 7/8	12	1/2	3	3 9/16
	10	10	13 3/4	3	26	21 5/8	29	3/16	9 1/2	6 7/8	11 7/16	12	1/2	3	4 1/8
	12	12	16	3	32 1/2	25 13/16	35 1/2	3/16	11 1/8	8	18 5/16	12	1/2	3	4 3/4

Dimensions in inches unless stated

Dimensions subject to change without notice

# • FABRICATED DIVERTER VALVES •

## SPECIFICATION

### Bodies

Fabricated in Carbon or Stainless Steel.

### Flap Plates and Spindle

Carbon or Stainless Steel.

### Wiper Seal

Polyurethane or food quality rubber.

### Actuation

Air cylinder or manual.

### Pneumatic Version

Complete with five port, four-way single solenoid spring return valve.

### Limit Switches

Positioned to indicate open/closed conditions.

## RANGE

Manufactured in four basic sizes based on a 30° divert angle. As the units are fabricated, versions can be tailor made to suit specific duties and needs. Divert angles can be changed to suit the application and the product being handled and options on inlet and outlet formats and flanges can be varied. With full flexibility around our standard design, Rotolok also manufactures a cast range for heavier duty application. Rotolok produces what you need to suit your application.



Straight through and Offset Pneumatic Gravity Diverter Valve 0° x 30°

## • OTHER ROTOLOK PRODUCTS •

- Rotary Airlocks
- Conveying Diverters
- Double Dumps
- Fabricated Slides
- Slim Slides
- Rotoslides
- Rotoflex Valves
- Slimflex Valves
- Butterfly Dampers
- Weigh Valves
- Plug Diverters
- Screw Conveyors
- Gravity Diverters
- Rotospeed Switch
- Level Lok
- Pipe Couplings
- Ni Hard Bends
- Special Designs



Rotolok Valves Inc  
Industrial Ventures II, 2711 Gray Fox Road  
Monroe, North Carolina, 28110  
Tel: (704) 282-4444 Fax: (704) 282-4242  
e-mail: [sales@rotolok.com](mailto:sales@rotolok.com)  
website: [www.rotolok.com](http://www.rotolok.com)