



DUST COLLECTOR VALVE

ROTOLOK
everything under control...

• DUST COLLECTOR VALVE •

INTRODUCTION

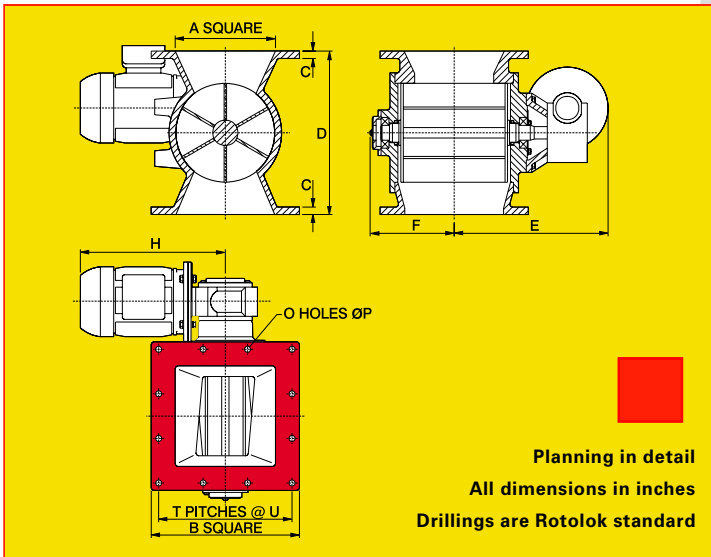
Rotolok has been an extremely competitive manufacturer of Rotary Valves since its formation in 1972.

It has grown considerably over this period world wide.

Having initially introduced a direct coupled Rotary Valve some 20 years ago with limited success, but with the advent of many competitors entering this field it is felt that Rotolok needs to re-focus its attention to the low cost end of the market.

Rotolok as usual will not see its market eroded and this leaflet introduces a Dust Valve significantly cheaper than that of its competitors.

TRY IT - YOU'LL LIKE IT

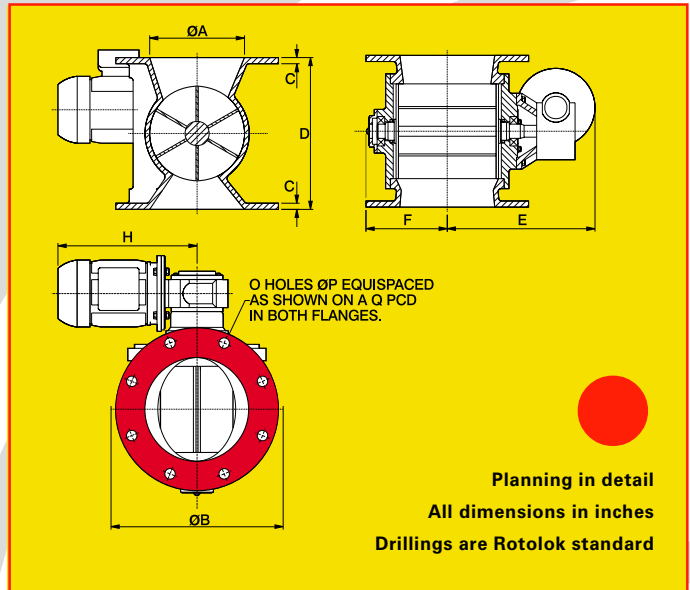


Dimensions are approximate and subject to change without notice.

Model	cu.ft./hr @ 1 rpm	HP	A	B	C	D	E	F	H	O	P	T	U	Weight (lbs)
6"	5	1/2	6	9 ⁷ / ₈	1/2	11	11 ⁵ / ₈	5 ³ / ₄	14	12	1/2	3	2 ³ / ₄	152
8"	12.7	1/2	8	11 ⁷ / ₈	5/8	13	12 ⁵ / ₈	6 ³ / ₄	14	12	1/2	3	3 ⁹ / ₁₆	183
10"	25.6	3/4	10	13 ¹ / ₄	5/8	15	13 ¹³ / ₁₆	8	15	12	9/16	3	4	256
12"	45.4	3/4	12	15 ³ / ₄	5/8	18 ¹ / ₈	15 ¹ / ₄	9 ⁵ / ₁₆	15	12	1/2	3	4 ¹ / ₁₆	386

ASK FOR OUR SAFETY LEAFLETS
OR SEE OUR WEBSITE

"DCV" SERIES ROTARY VALVE



Dimensions are approximate and subject to change without notice.

Model	cu.ft./hr @ 1 rpm	HP	A	B	C	D	E	F	H	O	P	Q	Weight (lbs)
6	5	1/2	6	11 ¹ / ₄	1/2	10 ⁵ / ₈	11 ⁵ / ₈	5 ³ / ₄	14	8	7/8	9 ¹ / ₂	152
8	12.7	1/2	8	12 ¹ / ₂	1/2	12 ¹ / ₄	12 ⁵ / ₈	6 ³ / ₄	14	8	1 ¹ / ₁₆	11	183
10	25.6	3/4	10	14 ¹ / ₂	5/8	15	13 ¹³ / ₁₆	7 ⁷ / ₈	15	8	1 ¹ / ₁₆	12 ⁵ / ₈	256
12	45.4	3/4	12	17 ³ / ₈	3/4	18 ³ / ₈	15 ¹ / ₄	9 ⁵ / ₁₆	15	12	7/8	15 ¹ / ₂	386

ASK FOR OUR SAFETY LEAFLETS
OR SEE OUR WEBSITE

SPECIFICATION

The general market place cover Cyclones, Bag Houses and Gravity Feed applications with pressures around \pm 3 PSI.

Body

Cast Iron Precision Bored

End Covers

Cast Iron Precision Machined and Spigot Located into Valve Body

Rotor

Fabricated Mild Steel Closed (Shrouded) Type Fully Machined

Bearings

Ball Type Rigged Inboard Sealed for Life

Seal

Shaft Seal Rubber Lip Type

Drive

Motorized Worm Box Shaft Mounted on Rotor and Fitted with Standard 56C Frame Nema Motor 460/3/60 Flange Mounted to Worm Box

Valve Speed

Sizes 150 & 200 - 26 RPM

Sizes 250 & 300 - 30 RPM



Rotolok Valves Inc., Industrial Ventures II, 2711 Gray Fox Road, Monroe, North Carolina 28110 Tel: (704) 282-4444 Fax: (704) 282-4242

e-mail: sales@rotolok.com website: www.rotolok.com