



# CONVEYING DIVERTER VALVES

**ROTOLUX**  
*everything under control...*

# • CONVEYING DIVERTERS •

## INTRODUCTION

Rotolok manufacture a full range of Flap, Plug and Weigh Diverters, which cover all applications in the pneumatic conveying industry to reroute powder, pellets or granules from one discharge to another.

For standard two way diversion applications, Rotolok specify the Flap Type Diverter Valve Range.

## THE FLAP TYPE DIVERTER VALVE

The Flap Type Diverter consists of a robust body manufactured in two sections, split at a centre flange for ease of access to the internal sealing flap.

With the special cone transition at the inlet, the sealing area within the cone forms a complete parabola and therefore an efficient internal seal can be maintained without resorting to sealing ledges - increasing the conveying line pressure, the rubber wiper seals more effectively.

Internals are clean, with no lodgement points, and the transition from one line into two is gradual, limiting turbulence and therefore pressure drop. Similarly, by the streamline design, the valve will also feed from two lines into one - again with no lodgement areas.

Choice of materials can cater for the majority of applications and by plating the body and internal components the semi-abrasive fields can be covered.

Special demand has necessitated the manufacture of a range of 30° divert angle valves to compliment the traditional range of 22½° divert angle valves. They are obviously more compact than the 22½° range but have a slightly greater pressure drop due to the increased angle.

Further demands of industry have led to the manufacture of two types of connections:

- FLANGED
- SPIGOTTED

## FLANGED

Simple and robust, bolt on flanged ends drilled to match various international standards

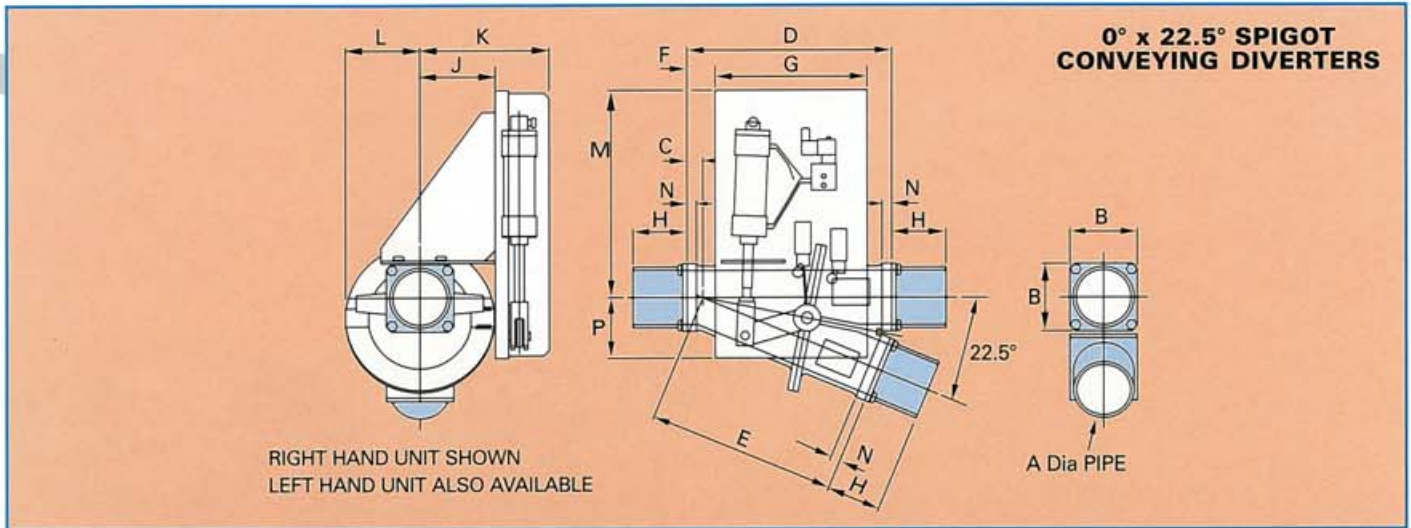


## SPIGOTTED

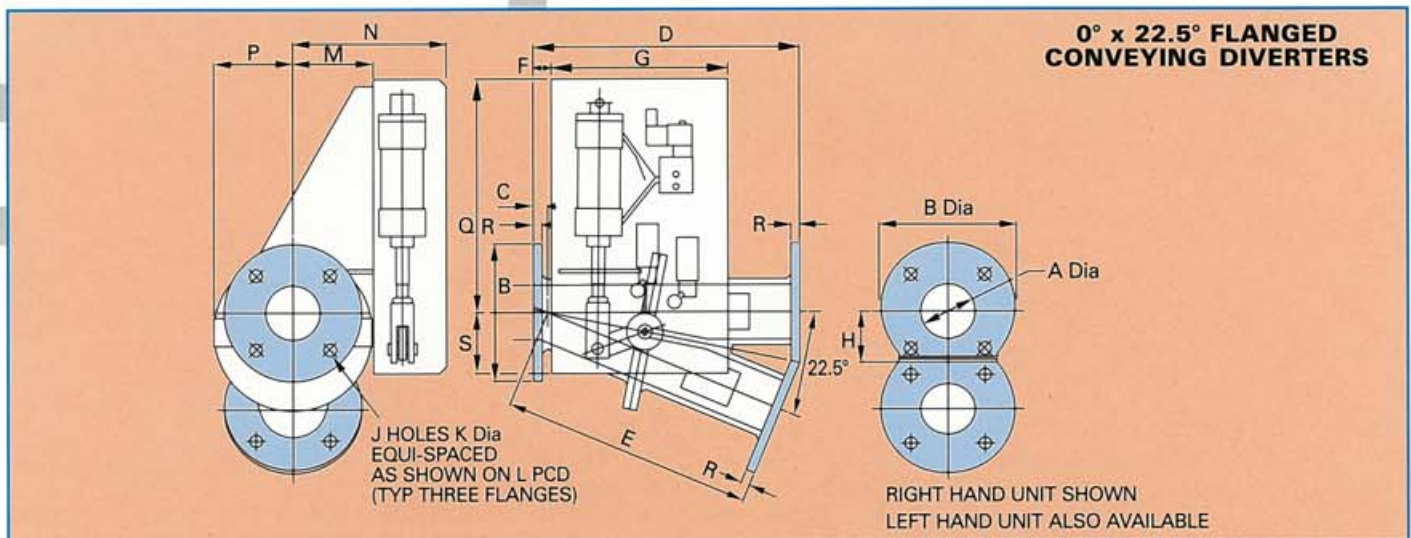
The spigotted ends are connected to pipework with "BLO-LINE" type couplings, facilitating quick access in case of blockages. It also gives flexibility in pipe length accuracies and misalignment variation. Furthermore, the Rotolok spigotted ends are not of cast fixed length, but bolted on and of variable length. This enables the end to be supplied to fit exactly to existing pipework.



# • CONVEYING DIVERTERS •

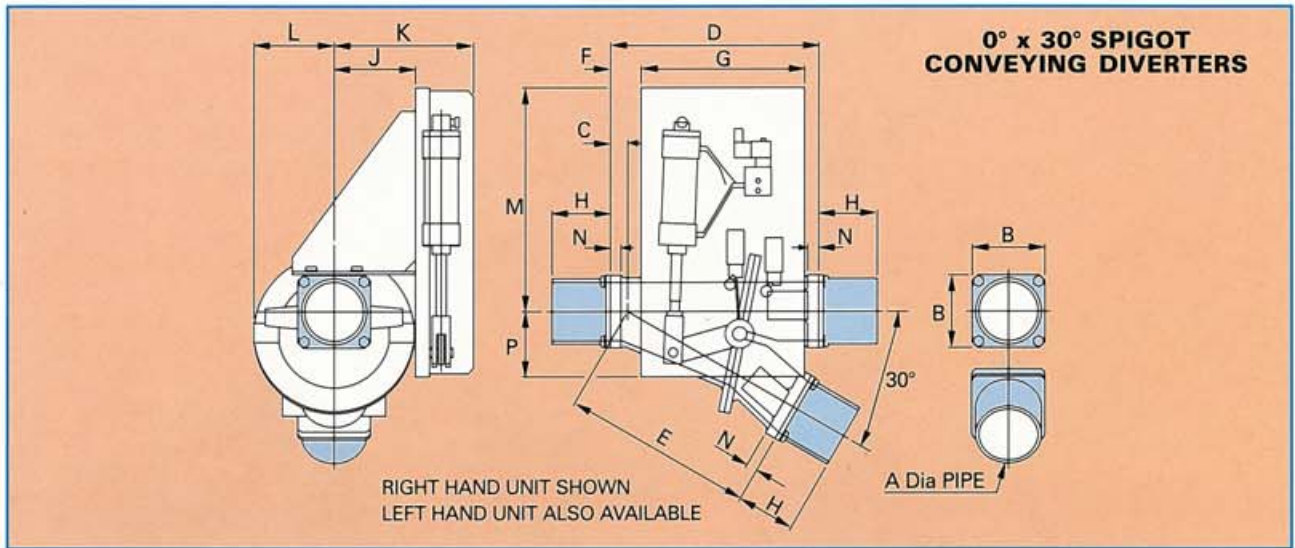


SIZE	A Pipe	B	C	D	E	F	G	H	J	K	L	M	N	P
2	2" N/B	3 3/4	3/4	11	10 1/4	0	9 7/8	4	3 5/8	7 5/8	3 1/2	12 5/8	3/4	3
2 1/2	2 1/2" N/B	4	3/4	11 3/4	11	3/16	9 3/4	4	4	8	4	13	3/4	3 1/4
3	3" N/B	4 1/2	3/4	14 1/8	13 3/8	1	9 3/4	4	4 3/8	8 1/2	4 3/8	12 7/8	3/4	3 3/8
4	4" N/B	5	1 3/16	15 3/16	14	2	11 1/4	4	5 1/2	9 1/4	5 1/2	15 3/8	3/4	4 1/2
5	5" N/B	6	1 3/16	19	17 7/8	4	11 1/4	4	6 3/8	10 3/8	6 3/8	15	3/4	4 7/8
6	6" N/B	7 3/4	1 3/8	18 7/8	17 1/2	4 3/4	11 1/4	4	7 1/4	11 1/4	7	15	3/4	5

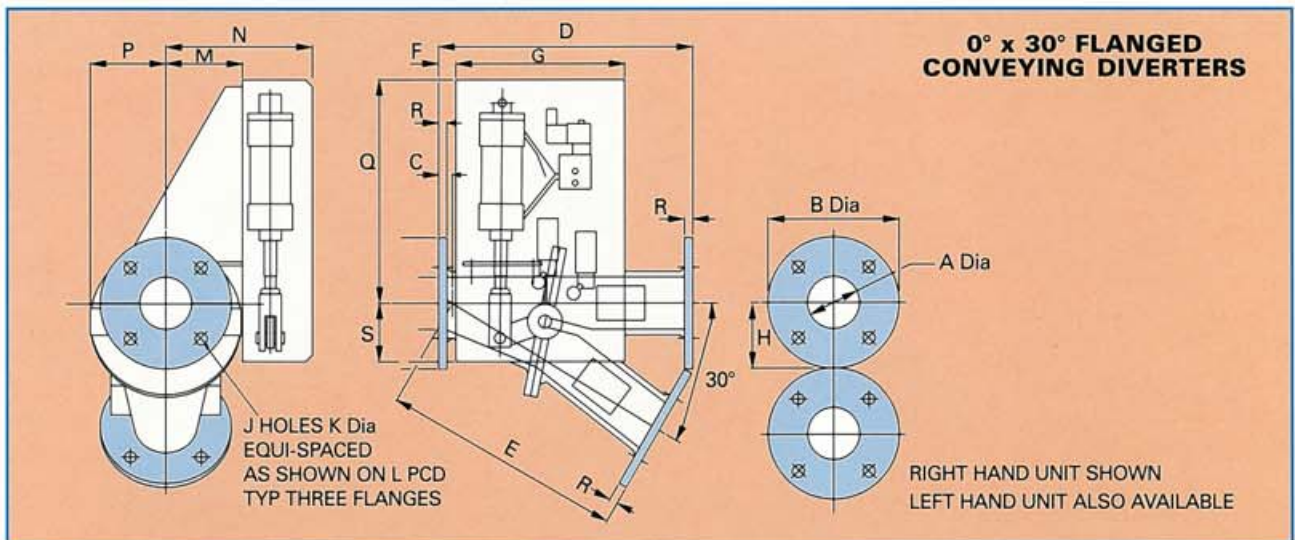


SIZE	A Dia	B Dia	C	D	E	F	G	H	J	K	L	M	N	P	Q	R	S
1	1	4 1/2	3/16	9 1/2	9 1/4	7/8	7 1/2	1 3/4	4	5/8	3 1/8 (ASA)	2 1/2	5 5/8	2 3/8	8 1/8	3/8	3 3/4
2	2	6	3/4	12 1/4	11 1/2	0	9 7/8	2 1/4	4	3/4	4 3/4 (ASA)	3 5/8	7 5/8	3 1/2	12 5/8	3/8	3
2 1/2	2 1/2	7	3/4	13 3/4	13	3/16	9 3/4	2 1/2	4	3/4	5 1/2 (ASA)	4	8	4	13	3/8	3 1/4
3	3	7 1/2	3/4	14 5/8	13 3/4	1	9 3/4	2 3/4	4	3/4	6 (ASA)	4 3/8	8 1/2	4 3/8	12 7/8	1/2	3 3/8
4	4	9	1 1/4	22 3/4	21 5/8	2	11 1/4	4 1/4	8	3/4	7 1/2 (ASA)	5 5/8	9 5/8	5 1/2	15 3/8	1/2	4 1/2
5	5	10	1 1/4	25	23 3/4	4	11 1/4	4 3/4	8	7/8	8 1/2 (ASA)	6 3/8	10 3/8	6 3/8	15	1/2	4 7/8
6	6 1/4	11	1 3/8	30	28 1/2	4 3/4	11 1/4	5 1/8	8	7/8	9 1/2 (ASA)	7 1/4	11 1/4	7	15	5/8	5
8	8	13 1/2	1 3/8	35 1/2	34	6 1/4	10 3/4	6 1/8	8	7/8	11 3/4 (ASA)	8 3/4	12 3/4	8 3/4	16 1/4	5/8	5 1/8
10	10 3/8	16	1 3/8	41 3/4	40 3/8	9 3/8	12 1/2	7 3/4	12	1	14 1/4 (ASA)	11 1/8	17 1/2	11	17	3/4	7
12	12	19	2 7/8	51 3/4	48 3/4	9 5/8	14 1/2	9 1/2	12	1	17 (ASA)	11 7/8	18 1/4	12	21	1	8

# • CONVEYING DIVERTERS •



SIZE	A Dia	B Dia	C	D	E	F	G	H	J	K	L	M	N	P
2	2" N/B	3 3/4	3/4	10 1/8	9 3/8	0	9 7/8	4	3 5/8	7 5/8	3 1/2	12 5/8	3/4	3
2 1/2	2 1/2" N/B	4	3/4	10 1/2	9 3/4	3/16	9 3/4	4	4	8	4	13	3/4	3 1/4
3	3" N/B	4 1/2	3/4	11	10 1/4	1	9 3/4	4	4 3/8	8 1/2	4 3/8	12 7/8	3/4	3 3/8
4	4" N/B	5	1 3/16	14 3/8	13 1/8	2	11 1/4	4	5 1/2	9 1/4	5 1/2	15 3/8	3/4	4 1/2
5	5" N/B	6	1 3/16	17 5/16	16 1/8	4	11 1/4	4	6 3/8	10 3/8	6 3/8	15	3/4	4 7/8
6	6" N/B	7 3/4	1 3/8	21	17 1/2	4 3/4	11 1/4	4	7 1/4	11 1/4	7	15	3/4	5



SIZE	A Dia	B Dia	C	D	E	F	G	H	J	K	L	M	N	P	Q	R	S
2	2	6	3/4	13	12 1/4	0	9 7/8	3	4	3/4	4 3/4 (ASA)	3 5/8	7 5/8	3 1/2	12 5/8	3/8	3
2 1/2	2 1/2	7	3/4	15 3/8	14 1/2	3/16	9 3/4	3 1/2	4	3/4	5 1/2 (ASA)	4	8	4	13	3/8	3 1/4
3	3	7 1/2	0	14 5/8	14 5/8	1	9 3/4	3 3/4	4	3/4	6 (ASA)	4 3/8	8 1/2	4 3/8	12 7/8	1/2	3 3/8
4	4	9	1 1/4	21 1/2	20 1/4	2	11 1/4	4 1/2	8	3/4	7 1/2 (ASA)	5 5/8	9 5/8	5 1/2	15 3/8	1/2	4 1/2
5	5	10	1 1/4	25	23 5/8	4	11 1/4	5	8	7/8	8 1/2 (ASA)	6 3/8	10 3/8	6 3/8	15	1/2	4 7/8
6	6 1/4	11	1 3/8	30	28 3/8	4 3/4	11 1/4	5 1/2	8	7/8	9 1/2 (ASA)	7 1/4	11 1/4	7	15	5/8	5
8	8	13 1/2	1 3/8	28 3/8	26 3/4	6 1/4	10 3/4	6 3/4	8	7/8	11 3/4 (ASA)	8 3/4	12 3/4	8 3/4	16 1/4	5/8	5 1/8
10	10 3/8	16	1 3/8	33 3/4	32 1/2	9 3/8	12 1/2	8	12	1	14 1/4 (ASA)	11 1/8	17 1/2	11	17	3/4	7

# • CONVEYING DIVERTERS •

## IMPORTANT FEATURES

- Compact Design
- Small Divert Angle
- Low Pressure Drop
- Smooth Internals
- Pneumatic or Manual
- Wide Range of Materials
- Higher Pressure Gives Greater Seal
- Dust Tight to 20 p.s.i.
- Easy Access and Maintenance
- Flanged or Spigotted Ends
- Pneumatics and Switches Housed in Guards



Conveying Diverter with 30° Divert

## SPECIFICATION

### Bodies

Cast in aluminum, stainless steel or cast iron

### Flap Valves and Spindles

Mild Steel or Stainless

### Wiper Seal

Polyurethane or food quality rubber.  
Temp limitation 350° F.

### Shaft Seal

Rubber 'O' ring

### Actuation

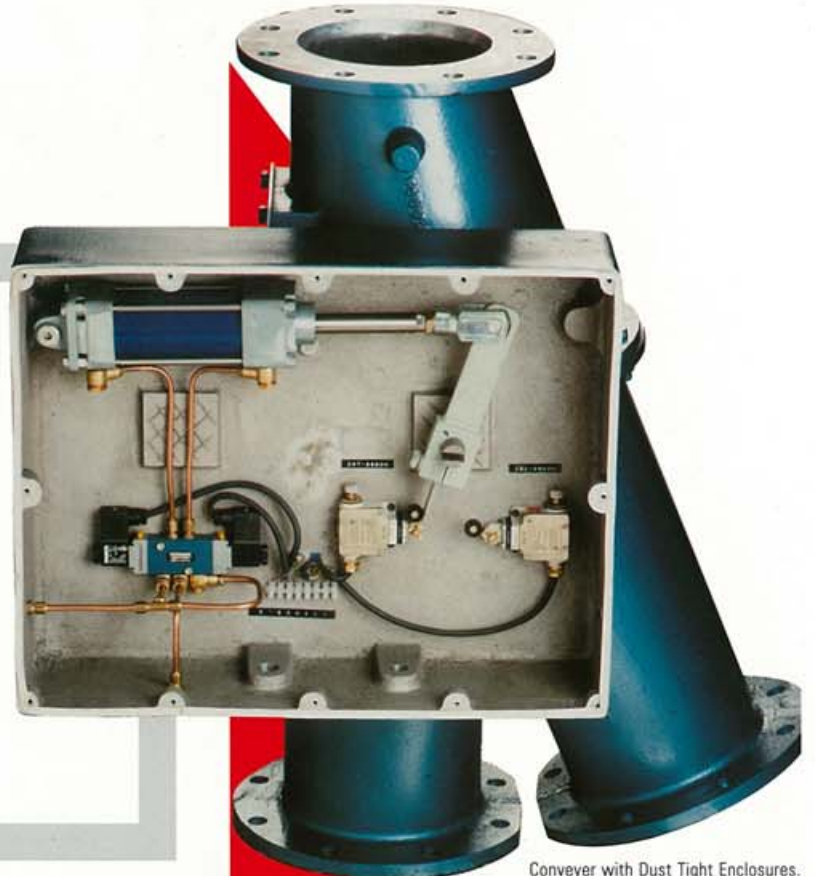
Air cylinder or manual

### Pneumatic Version

Complete with five-port four-way single solenoid return valve

### Limit Switches

Available to indicate open/closed conditions  
Pneumatics and switches housed in guards



Conveyer with Dust Tight Enclosures.

## • OTHER ROTOLOK PRODUCTS •

- Rotary Airlocks
- Conveying Diverters
- Double Dumps
- Blowing Seals
- Fabricated Slides
- Slim Slides
- Rotoslides
- Rotoflex Valves
- Slimflex Valves
- Butterfly Dampers
- Weigh Valves
- Plug Diverters
- Gravity Diverters
- Rotospeed Switch
- Level Lok
- Pipe Couplings
- Ni Hard Bends
- Bin Activators
- Soliflos
- IBC Systems
- Rite Rate Feeders
- Rite Weight Feeders
- Special Designs



Plug Diverter



Rotolok Valves Inc  
Industrial Ventures II, 2711 Grey Fox Road  
Monroe, North Carolina, 28110  
Tel: (704) 282-4444 Fax: (704) 282-4242