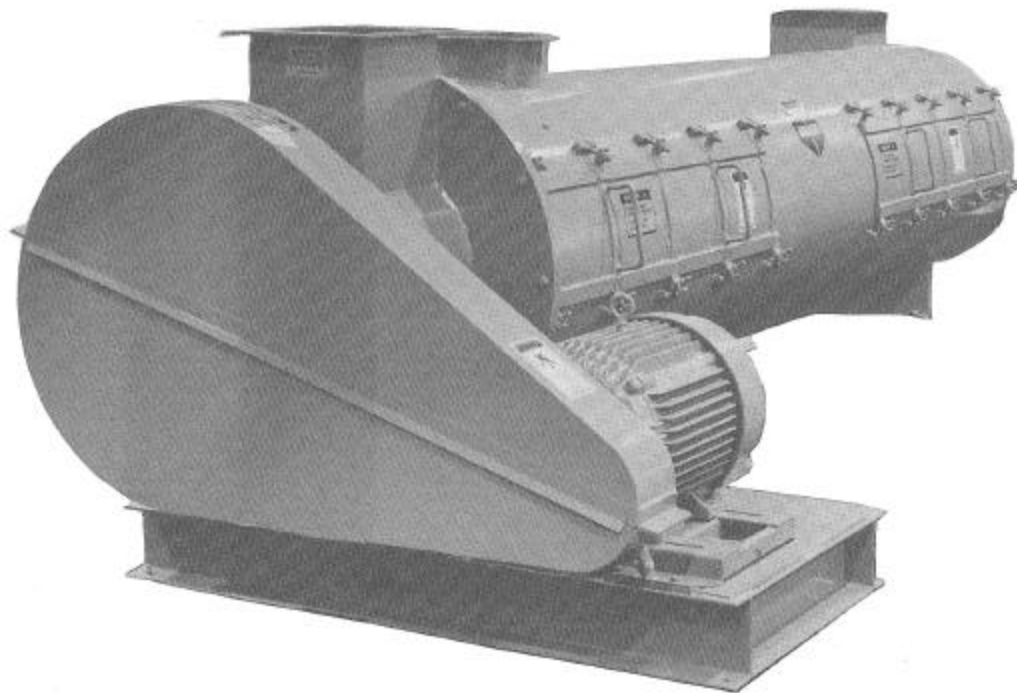


# SCOTT's New Cooler System



## For More Consistent High-Temperature Meal

If cooling and moisture problems are keeping you from getting the consistent processed meal you need for proper packaging and storing, you now have a solution. It's the new Scott Cooler System, and it's just the equipment to ensure better handling of meal or powder products that have been heated to temperatures of 160-275 degrees F.

If you have a hot product, you are probably experiencing condensation and difficulty in unloading your bins and your bulk trucks. You may even be inviting salmonella problems if you have condensation caused by hot meal.

That's why you'll like this. The Scott Cooler will not only cool your product, it will enable you to add moisture when necessary.

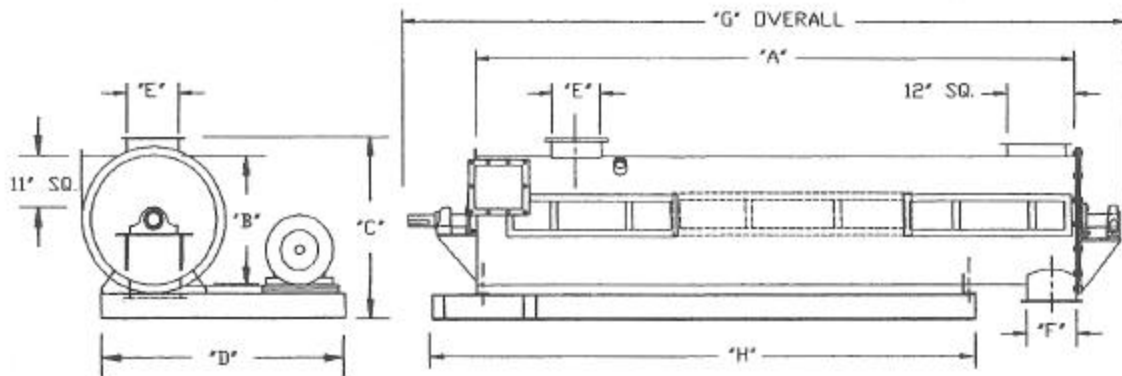
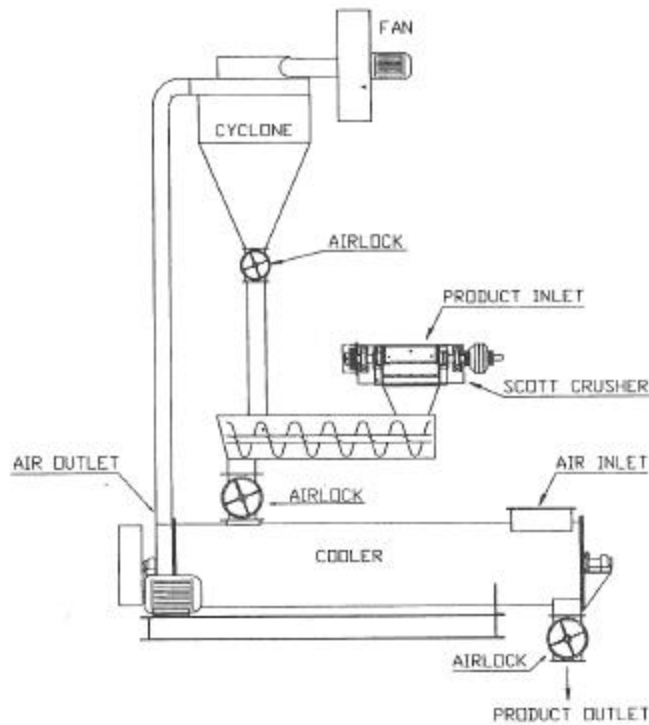
The uncomplicated design of the Scott Cooler makes it inexpensive every way you look at it. A unique but simple cylinder totally encloses the product, so you experience little product loss into the air stream. It uses ambient air, so it's cost-effective to operate. And maintenance costs are predictably low.

The Scott Cooler is ideal for cooling all kinds of meal such as rendered meat meal, feather meal and soybean meal. It will also cool meal coming from the Scott AST Dryer.

And with a production rate of up to 50 tons per hour, you'll find the new Scott Cooler a valuable addition to your meal processing operation.

For more information on making that happen, just contact your Scott representative.

# Cooler System



MODEL	SIZE	'A'	'B'	'C'	'D'	'E'	'F'	'G'	'H'
CD168	16' X 96'	96	16	28	30	10	10	116	82
CD2010	20' X 120'	120	20	32	36	10	10	140	106
CD2012	20' X 144'	144	20	32	36	12	12	164	130
CD3012	30' X 144'	144	30	42	58	12	12	168	130
CD3312	33' X 144'	144	33	45	58	12	12	168	130
CD3612	36' X 144'	144	36	48	72	15	15	168	130
CD4815	48' X 180'	180	48	60	82	15	15	202	166

**Call toll free 1-800-264-9519**

**After all, you wouldn't want  
to mix us up with anyone else.**



**SCOTT**  
EQUIPMENT COMPANY

605 Fourth Avenue Northwest  
New Prague, MN 56071  
612-758-2591  
612-758-4377 Fax