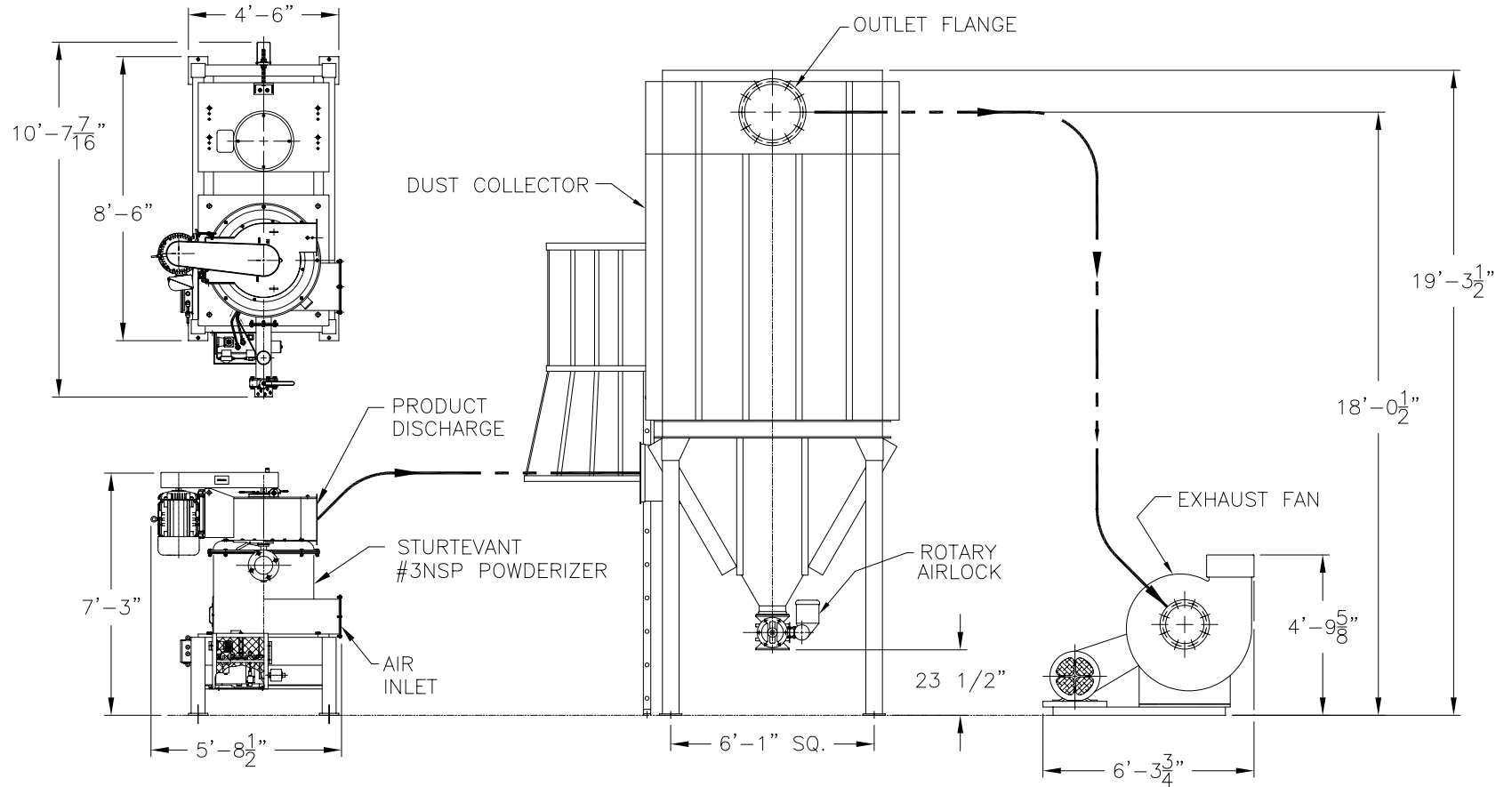



NOTE(S):

LTR	ECO NO	REVISION	BY	DATE	APPD
-----	--------	----------	----	------	------

- 1) LAYOUT DRAWING FOR PRELIMINARY PURPOSES ONLY.
- 2) ALL INTERCONNECTING DUCTWORK TO BE SUPPLIED BY CUSTOMER AND SIZED APPROPRIATELY.
- 3) ALL INTERCONNECTING DUCTWORK TO BE AS SHORT AS POSSIBLE AND RUN IN SUCH A WAY AS TO MINIMIZE THE USE OF ELBOWS AND SHARP TURNS.



The subject matter disclosed herein embodies proprietary information which is the confidential property of STURTEVANT, INC., none of which shall be copied, reproduced, disclosed to others, published or used in whole or in part, for any purpose other than that for which it is being made available without the express advance written permission of a duly authorized agent of the company. This document is the property of STURTEVANT, INC. and is to be returned to the company upon demand.

UNLESS OTHERWISE SPECIFIED		SIGNATURES		DATE		 348 Circuit Street Hanover, MA 02339-2129	
DIMENSIONS ARE IN INCHES TOLERANCES: 2 PL DECIMALS ± .01 3 PL DECIMALS ± .005 ANGLES ± 1/2° FRACTIONS ± 1/32 FINISH 125		DRAWN SGE		9/9/03			
MATERIAL:		ORDER NO		SIZE A		DWG. NO FC-145	
SYSTEM ARRANGEMENT		SCALE		TOTAL WT.		REV.	
						SHEET 1 OF 1	