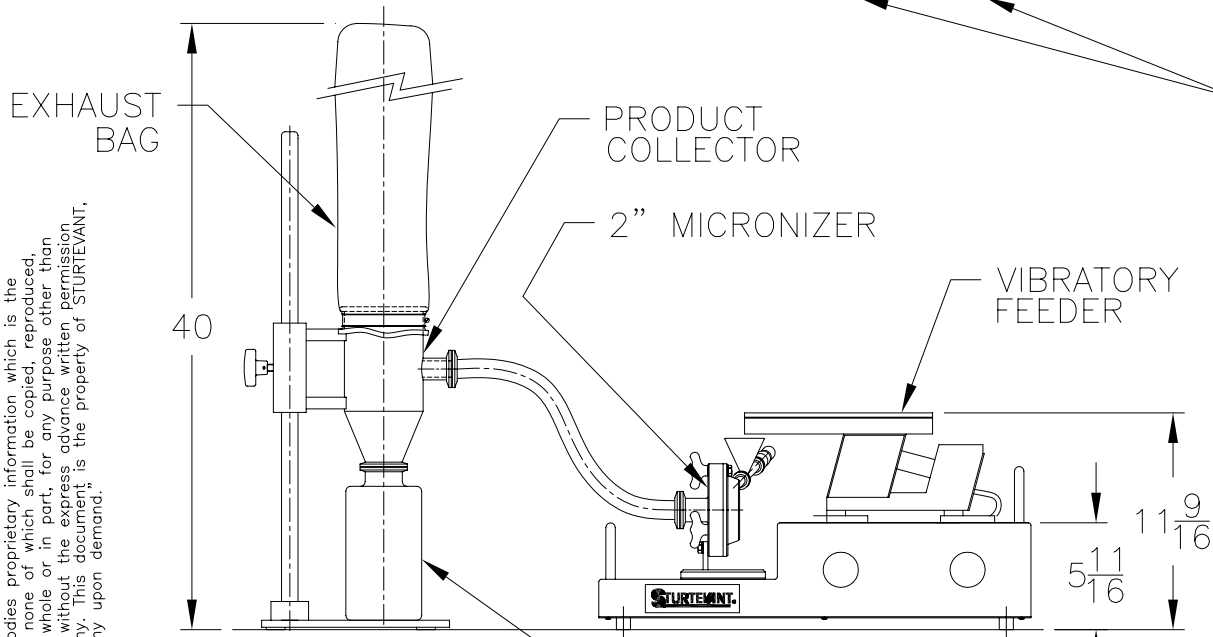


AIR INPUT CONNECTION  
3/8-18NPT FEMALE

AIR CONTROLS



EXHAUST BAG

PRODUCT COLLECTOR

2" MICRONIZER

VIBRATORY FEEDER

PRODUCT CONTAINER  
0.5 TO 5 LITERS

NOTES:

- 1) MICRONIZER REQUIRES  
20 SCFM @ 100 PSIG  
OF DRY, FILTERED AIR.

"The subject matter disclosed herein embodies proprietary information which is the confidential property of STURTEVANT, INC., none of which shall be copied, reproduced, disclosed to others, published or used in whole or in part, for any purpose other than that for which it is being made available without the express advance written permission of a duly authorized agent of the company. This document is the property of STURTEVANT, INC. and is to be returned to the company upon demand."

SIGNATURES		DATE
DRAWN	G.M.	11/4/04
CHECKED		
APPROVED		



TITLE		
2" MICRONIZER SYSTEM		
SIZE	DWG. NO	REV.
A	FC-152	
SCALE	TOTAL WT.	SHEET 1 OF 1
1/10		