

Load cell with amplifier

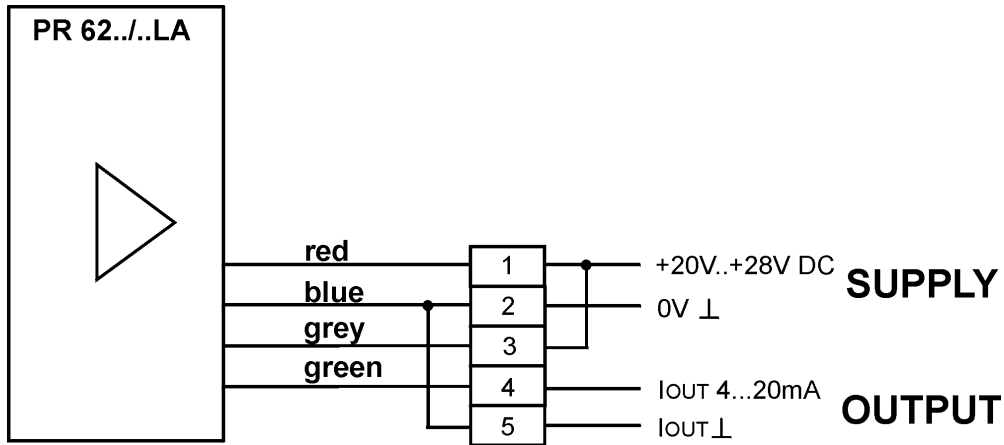


Fig. 1 Connection diagram for one amplifier load cell

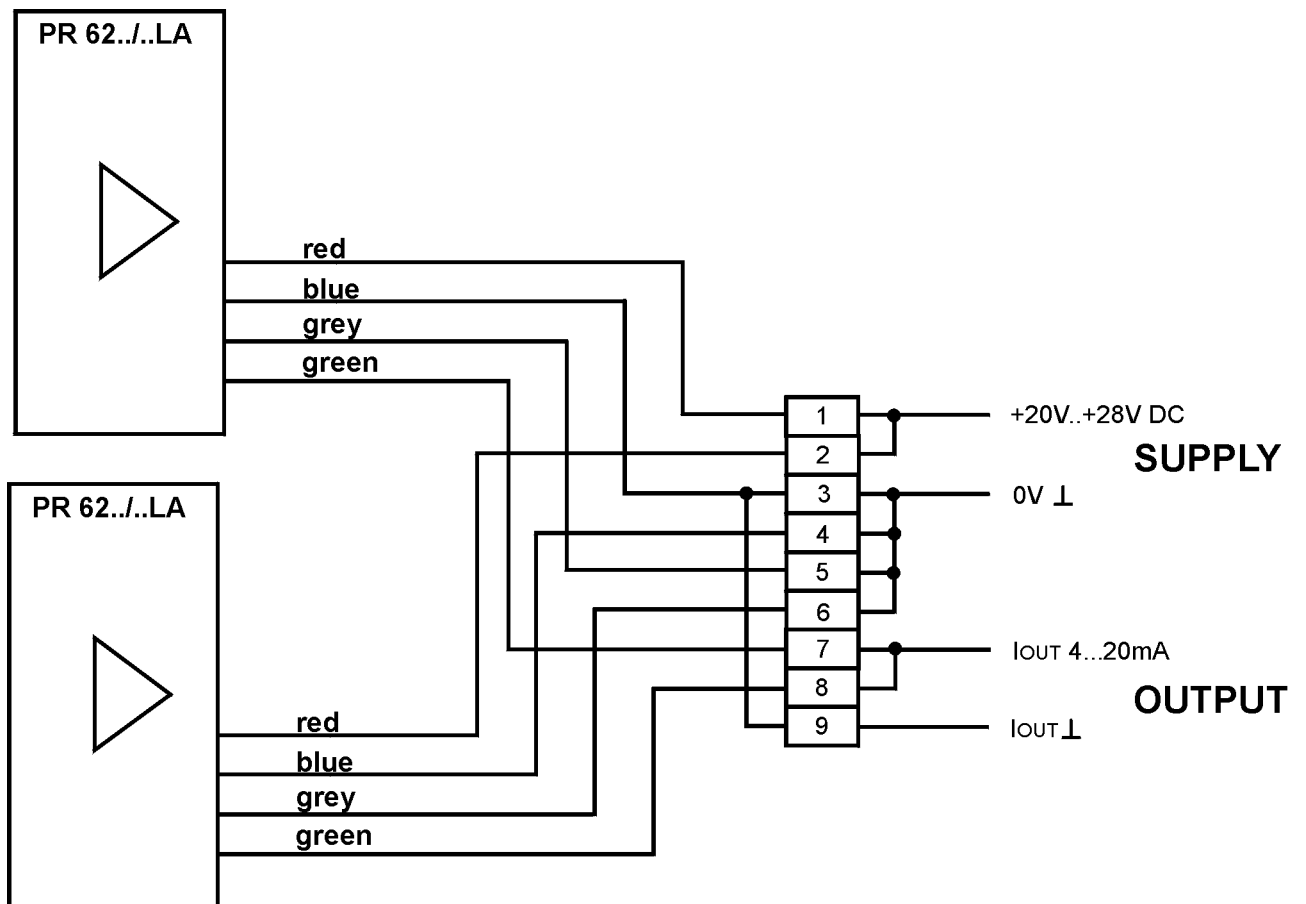


Fig. 2 Connection diagram for two amplifier load cells

Note: 1. Load cells with amplifiers can only be used in installations which require one or two load cells, e.g. in level-by-weight systems.

2. The grey wire determines the operation mode:
- GREY = 0V two load cell mode
 - GREY = +SUPPLY single load cell mode

