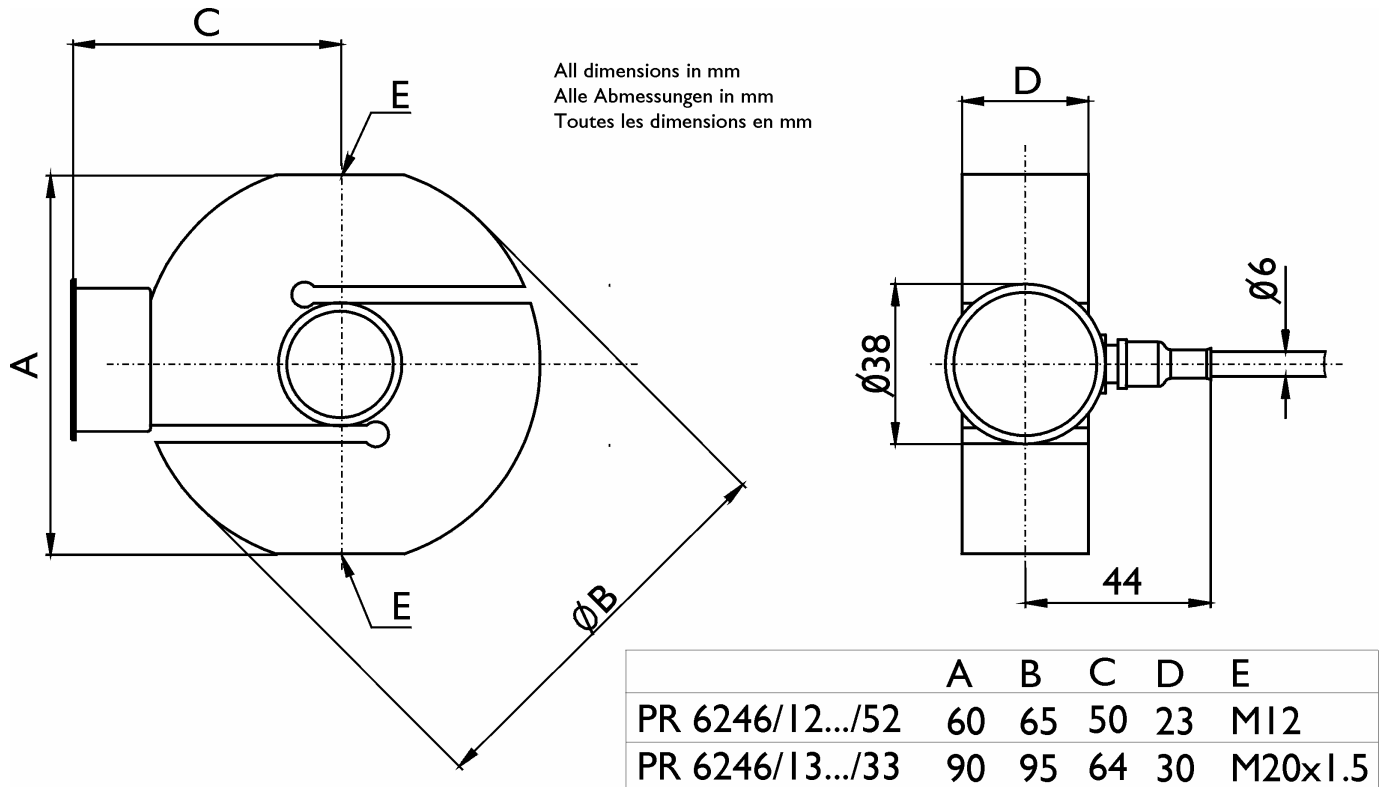


# Load cell PR 6246/100 kg...3 t



- S type load cell for tension application
- accuracy classes D1...C6
- intrinsically safe version available