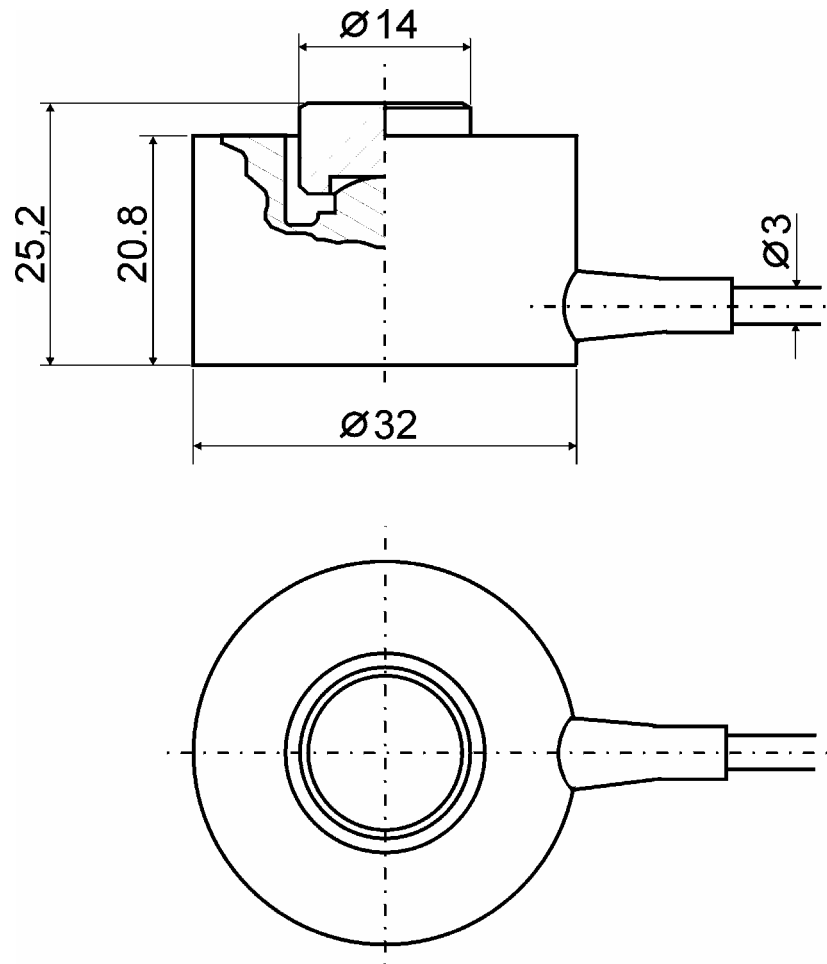
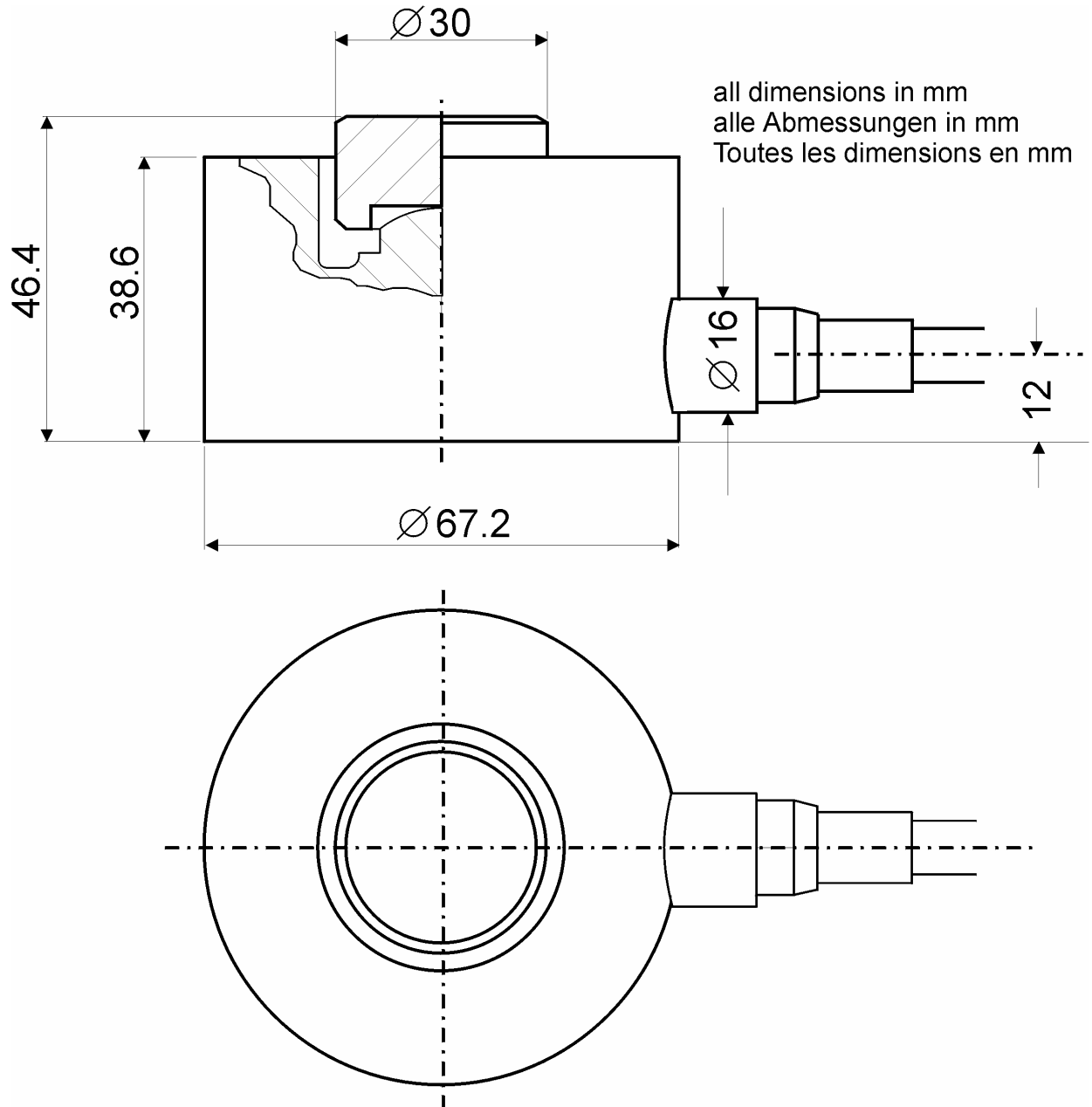


# Load cell PR 6211/30...300 kg



- max. permissible side force for the load cell without mechanical destruction 2 kN
- the load cell supports a load of 500 kg without damage
- the destructive load exceeds 1000 kg

# Load cell PR 6211/500 kg...10 t



- max. permissible side force for the load cell without the danger of destruction      5 kN