

# Load cell PR 6201/500 kg...50 t

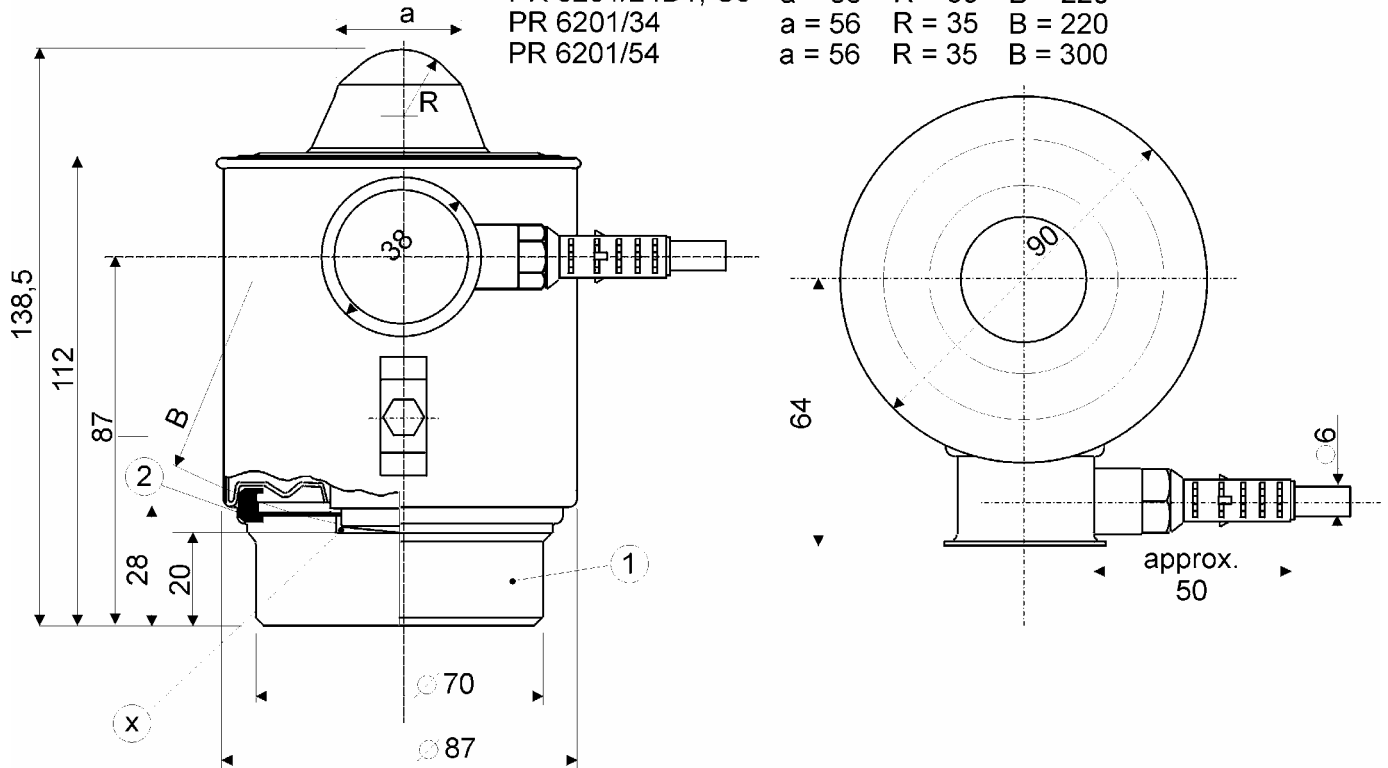
All dimensions in mm

Alle Abmessungen in mm

Toutes les dimensions en mm

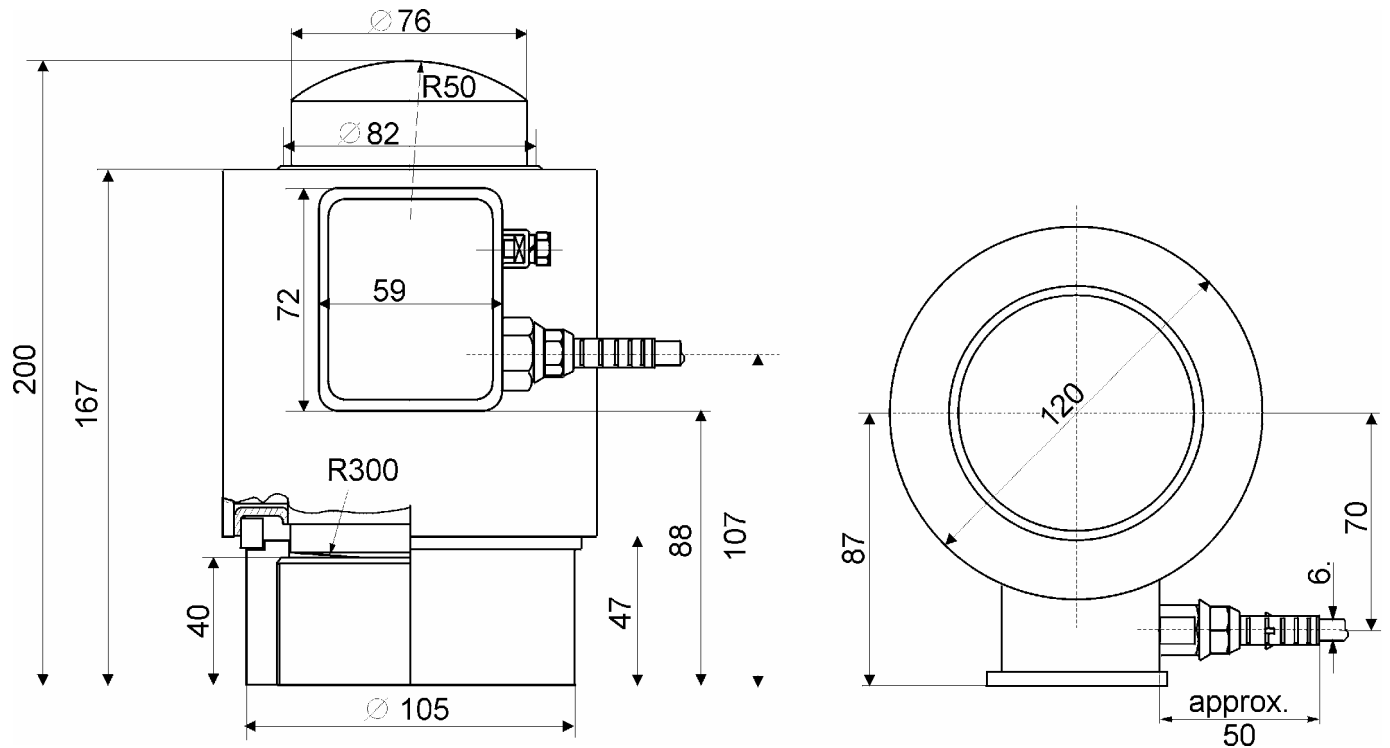
PR 6201/52.../23  
 PR 6201/33.../14  
 PR 6201/24L  
 PR 6201/24D1, C3  
 PR 6201/34  
 PR 6201/54

a = 24	R = 15	B = 150
a = 34	R = 15	B = 150
a = 34	R = 15	B = 150
a = 56	R = 35	B = 220
a = 56	R = 35	B = 220
a = 56	R = 35	B = 300



- **one single height** for all load cells with nominal loads between 500 kg and 50 t
- high overload capacity (>200 % of nominal load)
- extremely high destructive load (>500 % of nominal load)

# Load cell PR 6201/100 t



# Load cell PR 6201/200 t...300 t

