

SUSPENDED BELT MAGNET

APPLICATION:

Engineered to remove ferrous contaminants from high volume deep burdens. When suspended over conveyors, Suspended Belt Magnets can be installed in an in-line or crossbelt configuration (see reverse side). Used in such industries as: feed & grain, concrete recycling, mining operations, municipal recycling, scrap yards, and other recycling and bulk processing industries.

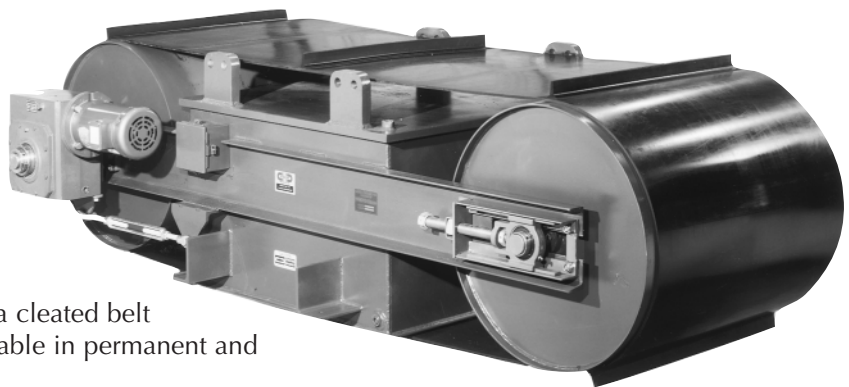


MANUAL CLEAN SUSPENDED MAGNET MODEL PICTURED: CSB30

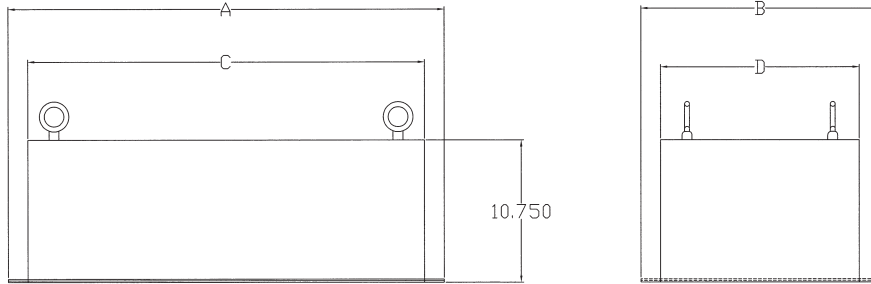
This unit simply suspends above the conveyor belt or the head pulley and lifts tramp metal from the product burden as it passes through the powerful magnetic field. Four eyebolts are provided for suspension (suspension chain not included). Cleaning is achieved by manually removing the collected tramp metal from the face of the magnet. E-Z CLEAN options are available to simplify cleaning. Available in permanent and electromagnetic designs.

POW-R CLEAN SUSPENDED MAGNET MODEL PICTURED: ESB24POW-R

This unit when suspended above the conveyor belt or head pulley automatically discharges the tramp metal that has been removed from the product burden. Similar to the manual clean unit, this design incorporates a set of pulleys along with a motor and reducer to drive a cleated belt around the magnet assembly. Available in permanent and electromagnetic designs.



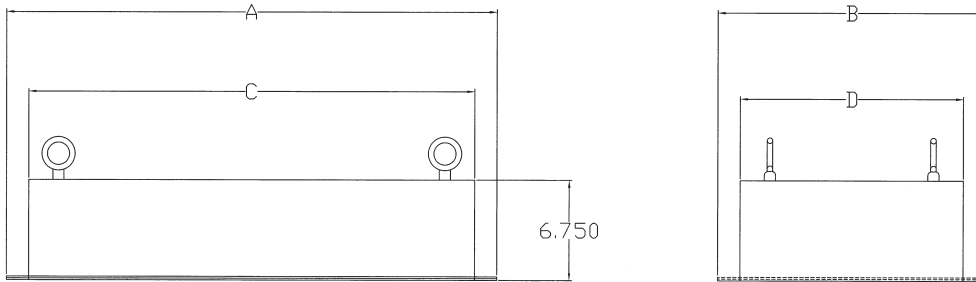
MANUAL CLEAN SUSPENDED BELT MAGNET



For optimum separation results the maximum suspension distance from the bottom of the material burden should be no more than 10"

MODEL NUMBER	DIMENSION A		DIMENSION B		DIMENSION C		DIMENSION D		APPROX. WEIGHT	
	INCHES	MM	INCHES	MM	INCHES	MM	INCHES	MM	LBS.	KG
CSB-18	21	533	33	838	18	457	30	762	850	386
CSB-24	27	685	33	838	24	609	30	762	1225	556
CSB-30	33	838	33	838	30	762	30	762	1550	703
CSB-36	39	990	33	838	36	914	30	762	1925	873
CSB-42	45	1143	33	838	42	1066	30	762	2275	1032
CSB-48	51	1295	33	838	48	1219	30	762	2600	1179
CSB-54	57	1447	33	838	54	1371	30	762	2925	1327
CSB-60	63	1600	33	838	60	1524	30	762	3250	1474
CSB-66	69	1752	33	838	66	1676	30	762	3575	1622

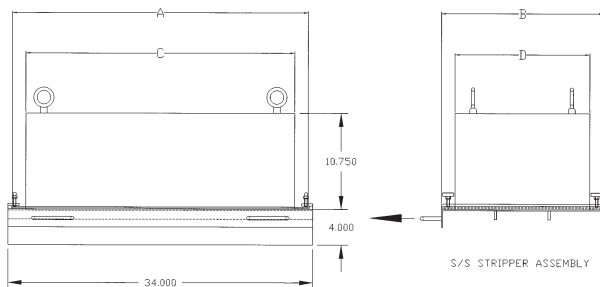
LOW BURDEN SUSPENDED BELT MAGNET



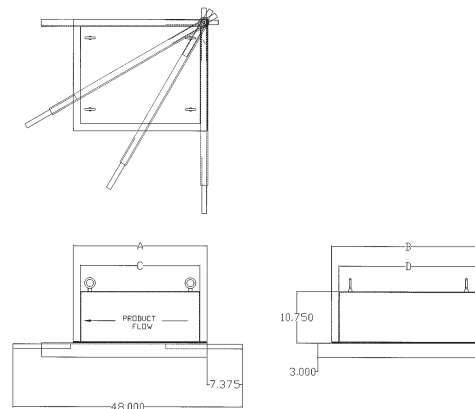
For optimum separation results the maximum suspension distance from the bottom of the material burden should be no more than 6"

MODEL NUMBER	DIMENSION A		DIMENSION B		DIMENSION C		DIMENSION D		APPROX. WEIGHT	
	INCHES	MM	INCHES	MM	INCHES	MM	INCHES	MM	LBS.	KG
CSBLB-18	21	533	18	457	18	457	15	381	280	127
CSBLB-24	27	685	18	457	24	609	15	381	441	200
CSBLB-30	33	838	18	457	30	762	15	381	602	273
CSBLB-36	39	990	18	457	36	914	15	381	763	346
CSBLB-42	45	1143	18	457	42	1066	15	381	924	419
CSBLB-48	51	1295	18	457	48	1219	15	381	1085	492
CSBLB-54	57	1447	18	457	54	1371	15	381	1246	565
CSBLB-60	63	1600	18	457	60	1524	15	381	1407	638
CSBLB-66	69	1752	18	457	66	1676	15	381	1568	711

E-Z CLEAN OPTIONS FOR CSB AND CSBLB

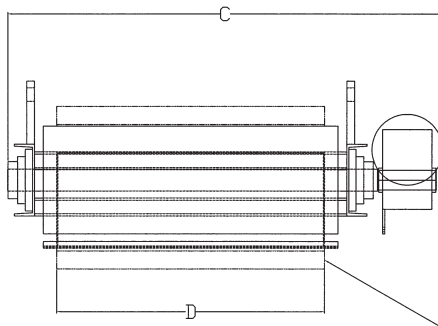


SLIDER PLATE (SP)



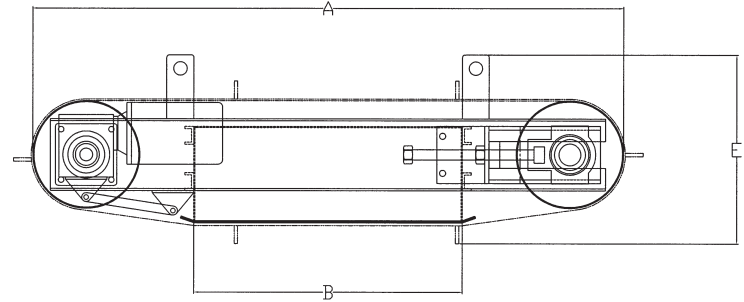
WIPER ARM (WA)

POW-R CLEAN SUSPENDED BELT MAGNET



MOLDED RUBBER OR STAINLESS STEEL CLEAT

PRODUCT FLOW



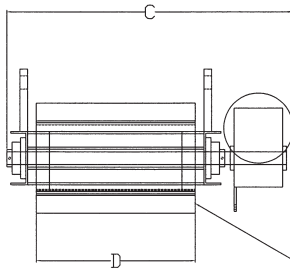
BELT DIRECTION

APPROX. 350 FT/MIN

For optimum separation results the maximum suspension distance from the bottom of the material burden should be no more than 10"

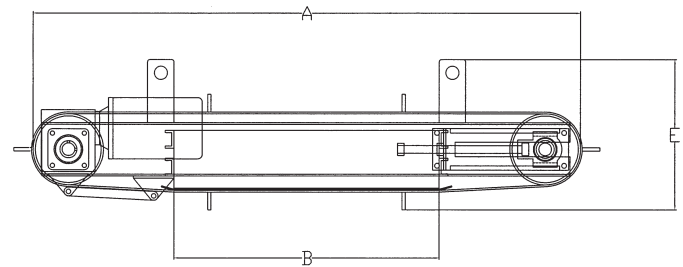
MODEL NUMBER	DIMENSION A		DIMENSION B		DIMENSION C		DIMENSION D		DIMENSION E		APPROX. WEIGHT		MOTOR HP
	INCHES	MM	INCHES	MM	INCHES	MM	INCHES	MM	INCHES	MM	LBS.	KG	
CSB18PDWR	54	1371	18	457	48	1219	30	762	21	533	1400	635	2
CSB24PDWR	60	1524	24	609	48	1219	30	762	21	533	1700	771	2
CSB30PDWR	66	1676	30	762	48	1219	30	762	21	533	2000	907	2
CSB36PDWR	72	1828	36	914	48	1219	30	762	21	533	2300	1043	2
CSB42PDWR	78	1981	42	1066	48	1219	30	762	21	533	2700	1225	2
CSB48PDWR	84	2133	48	1219	48	1219	30	762	21	533	3100	1406	3
CSB54PDWR	90	2286	54	1371	48	1219	30	762	21	533	3400	1542	3
CSB60PDWR	96	2438	60	1524	48	1219	30	762	21	533	3800	1724	3
CSB66PDWR	102	2590	66	1676	48	1219	30	762	21	533	4100	1860	3

POW-R CLEAN LOW BURDEN SUSPENDED BELT MAGNET



MOLDED RUBBER OR STAINLESS STEEL CLEAT

PRODUCT FLOW



BELT DIRECTION

APPROX. 350 FT/MIN

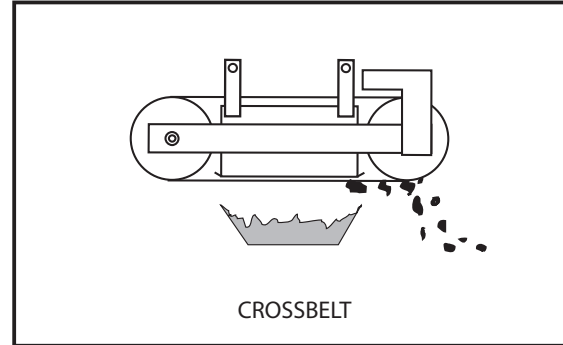
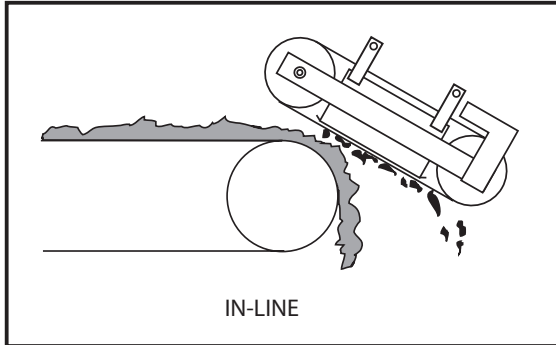
For optimum separation results the maximum suspension distance from the bottom of the material burden should be no more than 6"

MODEL NUMBER	DIMENSION A		DIMENSION B		DIMENSION C		DIMENSION D		DIMENSION E		APPROX. WEIGHT		MOTOR HP
	INCHES	MM	INCHES	MM	INCHES	MM	INCHES	MM	INCHES	MM	LBS.	KG	
CSBL18PDWR	50	1270	18	457	32	825	18	457	17	431	700	318	1
CSBL24PDWR	56	1422	24	609	32	825	18	457	17	431	1000	454	1
CSBL30PDWR	62	1574	30	762	32	825	18	457	17	431	1300	590	1
CSBL36PDWR	68	1727	36	914	32	825	18	457	17	431	1600	726	1
CSBL42PDWR	74	1879	42	1066	32	825	18	457	17	431	2000	907	1
CSBL48PDWR	80	2032	48	1219	32	825	18	457	17	431	2400	1089	2
CSBL54PDWR	86	2184	54	1371	32	825	18	457	17	431	2700	1225	2
CSBL60PDWR	92	2336	60	1524	32	825	18	457	17	431	3100	1406	2
CSBL66PDWR	98	2489	66	1676	32	825	18	457	17	431	3400	1542	2

OPERATION:

As product passes under the POW-R CLEAN™ Suspended Belt Magnet, ferrous contaminants are drawn to the unit by a powerful magnetic field. A belt traveling around the magnet discards the ferrous contaminants safely and effortlessly.

INSTALLATION OPTIONS:



CONSTRUCTION

- Ceramic permanent magnet, will not demagnetize
- Heavy duty impact plate on magnet face
- Structural steel channel frame
- Adjustable take-ups
- Lift lugs for easy installation or suspension
- All welded rugged construction
- Extra thick heavy duty cleated belt
- Includes motor and reducer

OPTIONS

- Electromagnetic designs
- Explosion proof motors
- Several belt options
- E-Z CLEAN™ Suspended Belt Magnets
- Custom sizes
- Rare Earth Magnet Designs

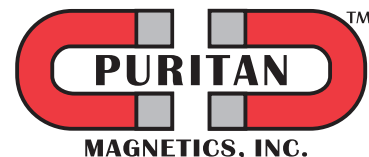
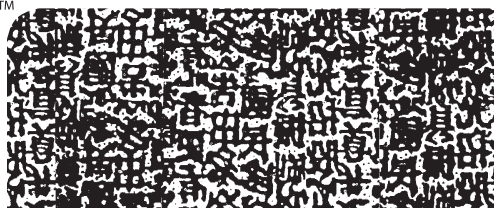
465 Glaspie Rd. Unit B • Oxford, MI 48371 • Tel: 248-628-3808 • Fax: 248-628-3844
www.puritanmagnetics.com • E-Mail: magnet@puritanmagnetics.com

For technical assistance or to order

1-800-787-3624

Solutions To Your Magnetic Needs

1-800-SUREMAG™



©1995 Puritan Magnetics, Inc.

Data Sheet #2302 / Rev. 1/06