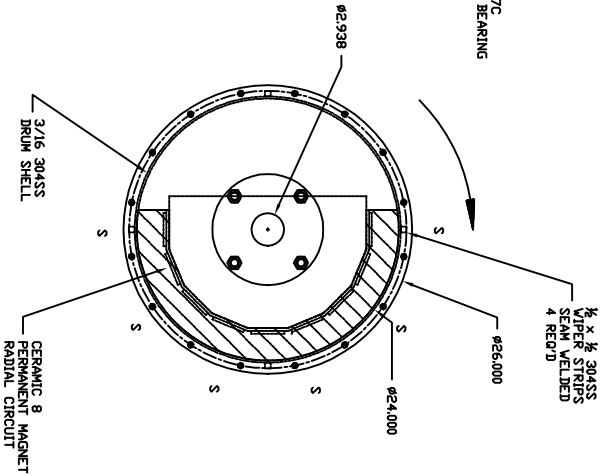
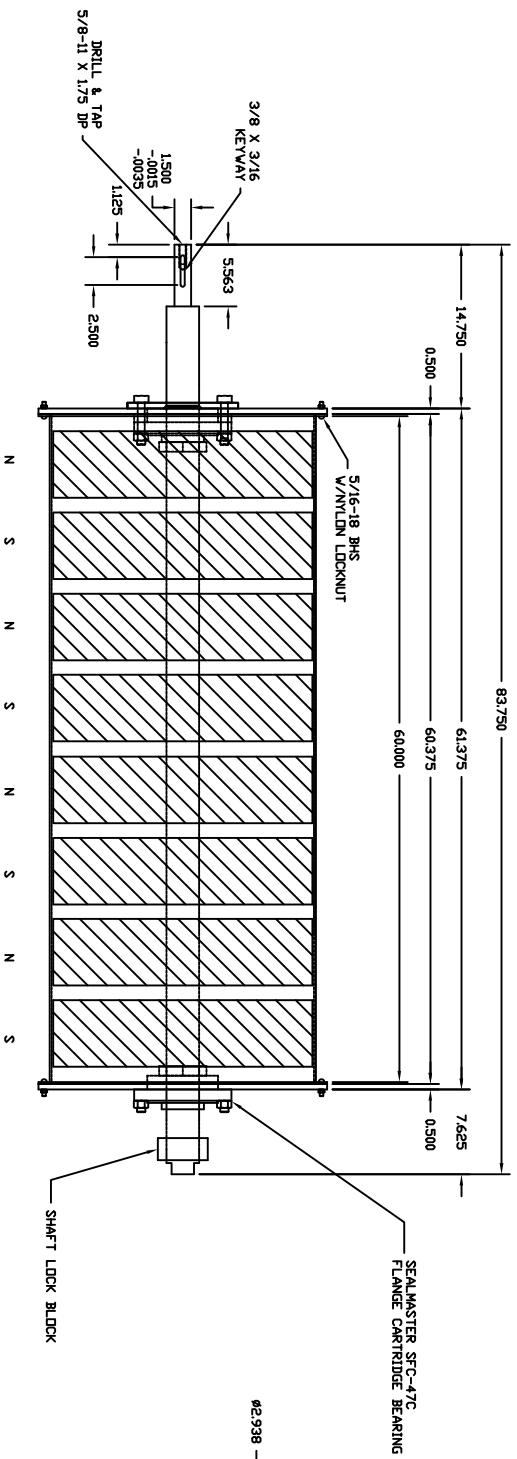


RADIAL POLE MAGNETIC CIRCUIT



STANDARD TOLERANCES

ANGLES = ± 0°-30'	.00 = ± 0.00
FRACTIONAL = ± .000	.000 = ± 0.005
0 = ± .000	.0000 = ± 0.005

ALL INFORMATION DISCLOSED BY THIS DOCUMENT IS CONSIDERED CONFIDENTIAL AND PROPRIETARY BY PURITAN MAGNETICS, INC. ALL DESIGN, MANUFACTURE, USE, REPRODUCTION & SALE RIGHTS ARE RESERVED BY PURITAN MAGNETICS, INC.

PURITAN MAGNETICS, INC.
 465 Gaspelle Rd. unit B
 DXF DRD HI 48371

DES. BY:	CH
CHECKED BY:	CH
DATE:	1 DF 1
SCALE:	N/A
TITLE:	CERAMIC ROTATING DRUM RADIAL POLE DESIGN
REV. NO.:	RPD-PRE