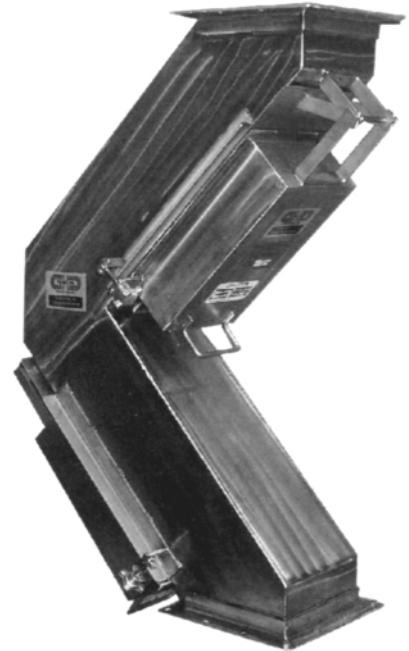
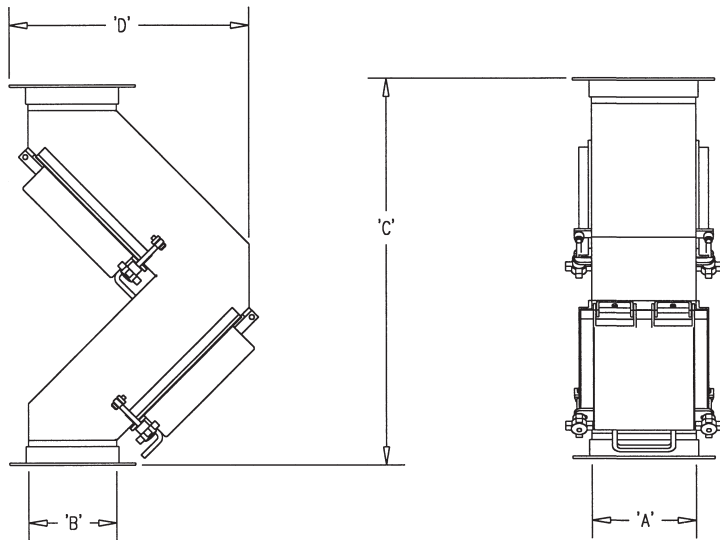


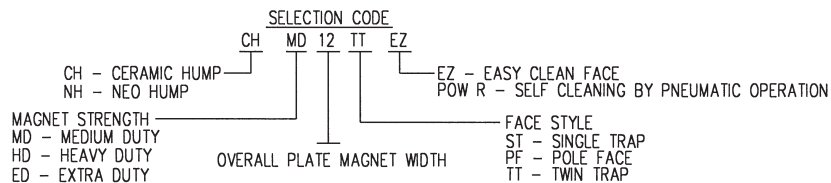
HUMP MAGNETS

APPLICATION:

Hump Magnets are designed to remove fine to large ferrous contaminants from gravity flow process systems. Hump Magnets provide uninterrupted protection to process equipment and ensure product purity. Puritan's Hump Magnets can be installed in applications involving moist, lumpy, granular or powder products.



SPOUT ROUND OR SQUARE	MODEL		'A'	'B'	'C'	'D'	
	CERAMIC	RARE EARTH NEODYMIUM IRON-BORON					
inch/mm			inch/mm	inch/mm	inch/mm	inch/mm	
4.00	102	CHMD8TT	NHMD8TT	6.25 159	5.00 127	30.00 762	19.00 483
6.00	152	CHMD10TT	NHMD10TT	8.25 210	7.00 178	30.00 762	19.00 483
8.00	203	CHMD12TT	NHMD12TT	10.25 260	7.00 178	30.00 762	19.00 483
10.00	154	CHMD16TT	NHMD16TT	14.25 362	7.00 178	30.00 762	19.00 483
12.00	305	CHMD22TT	NHMD22TT	20.25 514	7.00 178	30.00 762	19.00 483
14.00	356	CHHD26TT	NHHD26TT	24.25 616	8.00 203	45.00 1143	27.00 686
16.00	406	CHHD34TT	NHHD34TT	32.25 819	8.00 203	45.00 1143	27.00 686
18.00	457	CHHD42TT	NHHD42TT	40.25 1022	8.00 203	45.00 1143	27.00 686
20.00	508	CHHD52TT	NHHD52TT	50.25 1276	8.00 203	45.00 1143	27.00 686



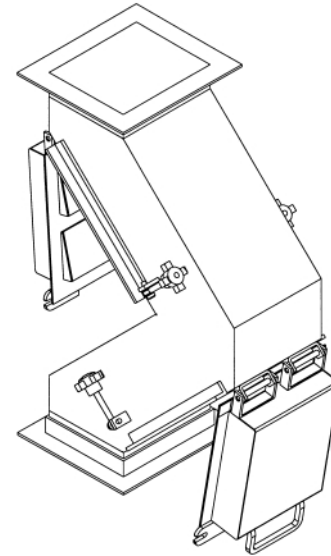
Note: Due to ongoing product development, certain specifications are subject to change without notice.

OPERATION:

As product enters the stainless steel housing it is directed to impact on the magnetic face of the first powerful Plate Magnet, where ferrous contaminants are tightly held to the Twin Trap face. Product continues to pass through the housing and then impacts on a second Plate Magnet where any ferrous contaminants not stopped by the first magnet are now caught. Each magnet covers the entire width of the housing with the flanged areas outside of the product flow area. This provides complete magnetic coverage across the housing with no gaps to allow ferrous contaminants to get through. Each magnet is hinged, latched, gasketed and includes a handle. Simply unlatch the magnet and it will pivot away from the housing allowing access to the captured ferrous contaminants.

CONSTRUCTION:

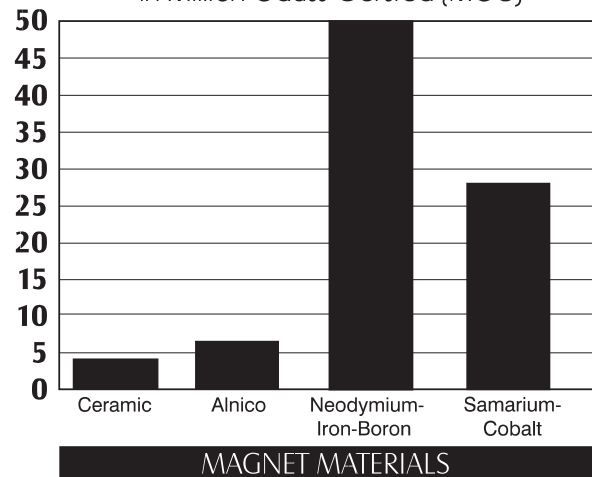
- 100% 304 stainless steel enclosed construction
- Highest available grades of magnet material with choices including Neodymium-Iron-Boron (rare earth), Samarium Cobalt (rare earth), Ceramic and Alnico
- Dual magnets for added protection
- Twin Trap face design for added protection
- Heavy duty stainless steel angle inlet and outlet flanges
- Heavy duty latches, hinges, and handle for easy access
- FDA approved white silicone sponge food grade gasket material



OPTIONS:

- 316L stainless steel and other alloy construction
- EZ CLEAN option with hinged stripper face to simplify cleaning
- POW-R CLEAN option to pneumatically operate hinged stripper face for automated self-cleaning
- Round inlet and outlet openings
- Sanitary construction
- Single Trap, Pole Face, or Suspended Face designs
- Various magnetic strengths to choose from

Maximum Energy Product
in Million Gauss-Oersted (MGO)



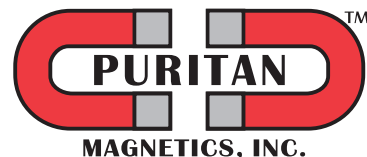
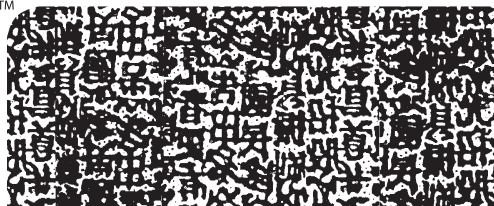
465 Glaspie Rd. Unit B • Oxford, MI 48371 • Tel: 248-628-3808 • Fax: 248-628-3844
www.puritanmagnetics.com • E-Mail: magnet@puritanmagnetics.com

For technical assistance or to order

1-800-787-3624

Solutions To Your Magnetic Needs

1-800-SUREMAG™



©1995 Puritan Magnetics, Inc.

Data sheet #2101 / Rev. 1/04