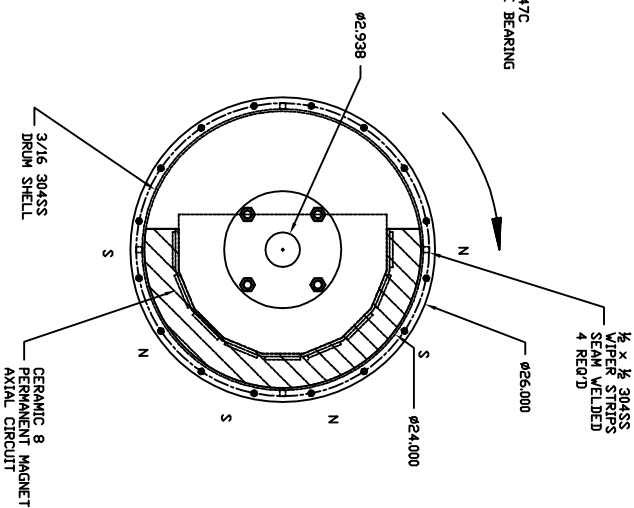
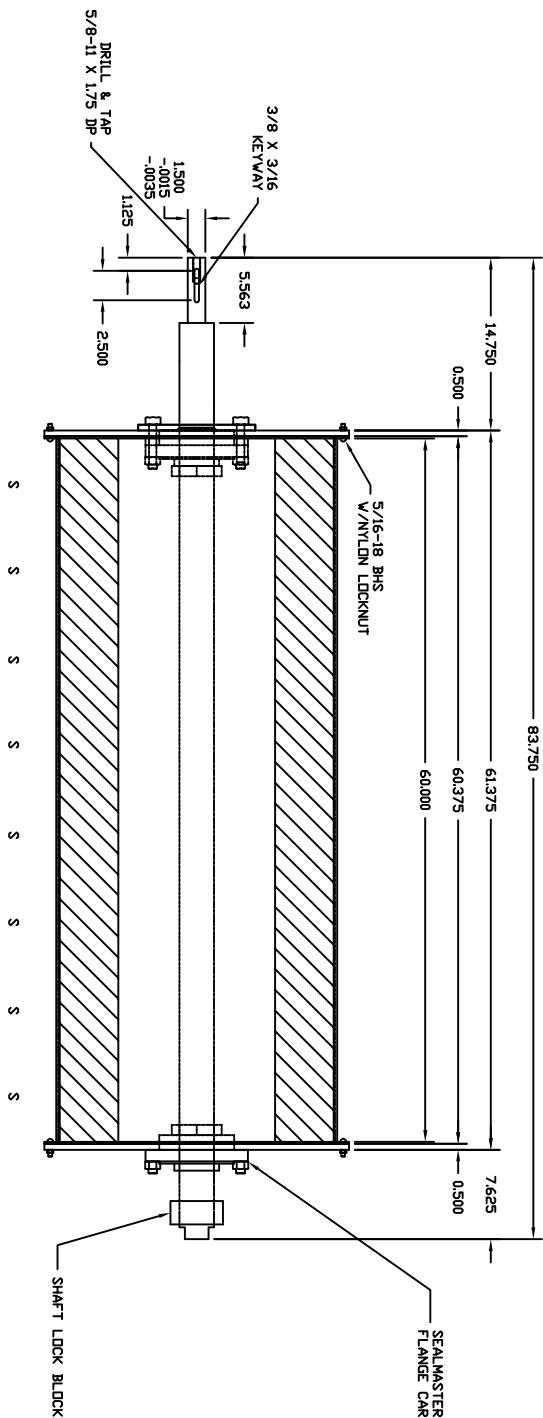


AXIAL POLE MAGNETIC CIRCUIT



STANDARD TOLERANCES

ANGLES = ± 0°-30'

FRACTION = ± .005

DECIMAL = ± .001

WELDED = ± .005

WELDED = ± .0015

WELDED = ± .0015

WELDED = ± .0015

DES BR: CH

CH

1 OF 1

DATE: 4/10/08

SCALE: NTS

TITLE: CERAMIC ROTATING DRUM AXIAL POLE DESIGN

DWG NO: APJ/PRE

PURITAN MAGNETICS, INC.

465 Glaspe Rd unit B
DXFRD MI 48371

ALL INFORMATION DISCLOSED BY THIS DOCUMENT IS CONSIDERED CONFIDENTIAL AND PROPRIETARY BY PURITAN MAGNETICS, INC. ALL DESIGN, MANUFACTURE, USE, REPRODUCTION & SALE RIGHTS ARE RESERVED BY PURITAN MAGNETICS, INC.