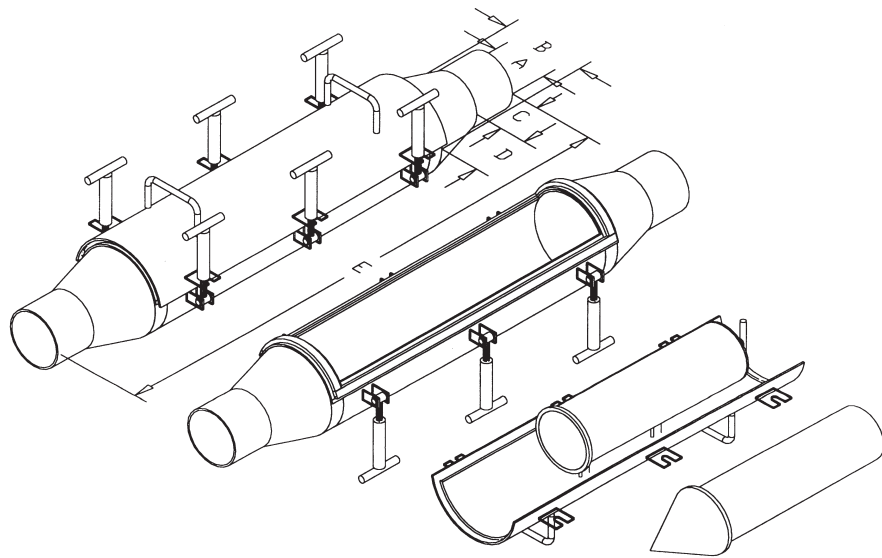


# AIR VEY MAGNETS



### APPLICATION:

AIR-VEY Magnets are designed to remove ferrous contaminants from products in dilute phase pneumatic conveying systems operating at 15 psi or less. These units are used to ensure product purity and protect process equipment. The flow through area of the housing is engineered to maintain the same product velocity with no appreciable drop in pressure. AIR-VEY Magnets install easily in a horizontal, vertical, or angled positions with compression type couplings or weld in place.

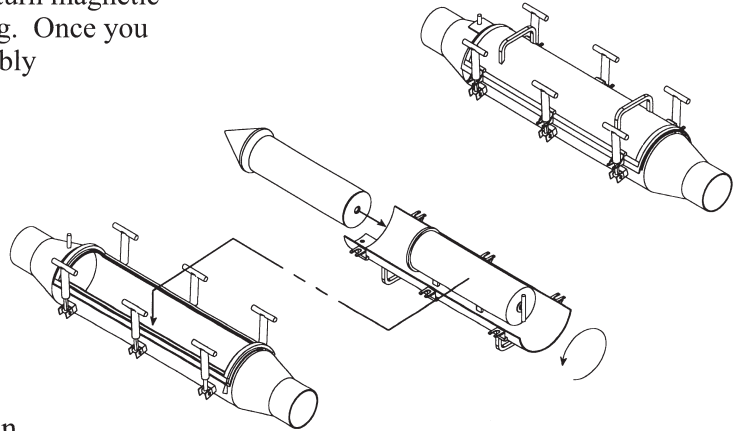


MODEL NUMBER	A	B	C	D	E	APPROX. WEIGHT
AV3EZ	3" O.D. (76.2mm)	5.5" (139.7mm)	2.75" (69.85mm)	4" (101.6mm)	38" (965.2mm)	85 LB (38.6 kg)
AV4EZ	4" O.D. (101.6mm)	6.125" (155.58mm)	2.75" (69.85mm)	4" (101.6mm)	38" (965.2mm)	90 LB (40.8 kg)
AV5EZ	5" O.D. (127.0mm)	6.75" (717.45mm)	2.75" (69.85mm)	4" (101.6mm)	38" (965.2mm)	100 LB (45.3 kg)
AV6EZ	6" O.D. (152.4mm)	8.5" (215.90mm)	3.75" (95.25mm)	4" (101.6mm)	46" (1168.4mm)	150 LB (68.0 kg)
AV8EZ	8" O.D. (203.2mm)	10" (254.0mm)	3.75" (95.25mm)	4" (101.6mm)	46" (1168.4mm)	160 LB (72.6 kg)

Note: Due to ongoing product development, certain specifications are subject to change without notice.

## OPERATION:

Inside the stainless steel housing is a powerful cylindrical shaped magnet with a cone shaped nose. As material enters the housing, the nose cone diverts the material around the cylindrical magnet where it passes through the magnetic field and ferrous contaminants are drawn to the magnetic surface. Ferrous contaminants are safely held in place as the cleaned product exits out the opposite end of the housing. To clean captured ferrous contaminants remove access door from housing by opening latches. Remove the magnetic element from the stripper shell and set aside. Ferrous contaminants will have fallen on the housing door where they can now be safely discarded. Return magnetic element to the stripper shell and install on housing. Once you have securely latched the door and magnet assembly to the housing you are now able to resume conveying product.



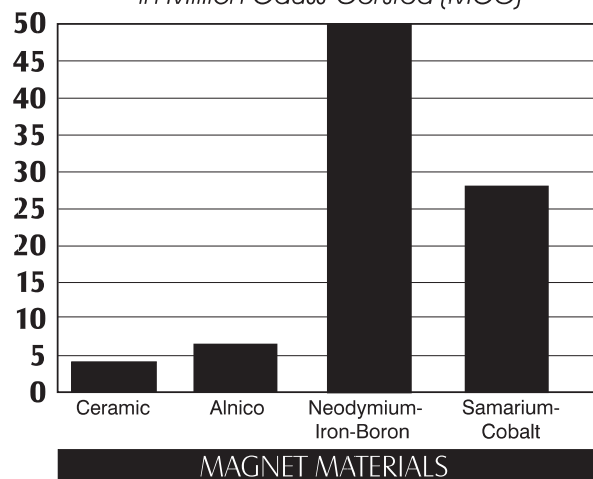
## CONSTRUCTION:

- 100% 304 stainless steel welded construction
- Highest available grades of magnetic material with choices including Neodymium-Iron-Boron (rare earth), Samarium-Cobalt (rare earth), Ceramic, and Alnico
- FDA approved white silicone sponge food grade gasket material
- Heavy duty latches
- EZ CLEAN feature

## OPTIONS:

- Hinged access doors
- 316L stainless steel and other alloy construction
- Sanitary construction options
- Flanged inlet and outlets to match ANSI bolt patterns

Maximum Energy Product  
in Million Gauss-Oersted (MGO)



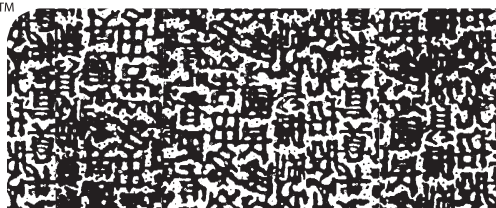
465 Glaspie Rd. Unit B • Oxford, MI 48371 • Tel: 248-628-3808 • Fax: 248-628-3844  
www.puritanmagnetics.com • E-Mail: magnet@puritanmagnetics.com

For technical assistance or to order

1-800-787-3624

Solutions To Your Magnetic Needs

1-800-SUREMAG™



©1995 Puritan Magnetics, Inc.

Data sheet #2501 / Rev. 5/04